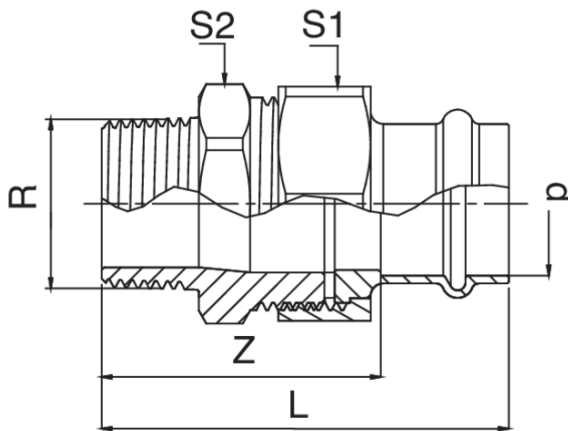


Unión H/rosca macho sede plana.



Especificaciones técnicas



D X R	BAG	MASTER BOX	CÓDIGO	L	S1	S2	Z
15 x 1/2"	5	50	ZCF341A12015000	66	24	27	44
15 x 3/4"	5	50	ZCF341A34015000	69	30	30	47
18 x 1/2"	5	30	ZCF341A12018000	69	30	30	46
18 x 3/4"	5	50	ZCF341A34018000	72	30	30	49
22 x 1/2"	5	30	ZCF341A12022000	83	30	30	59
22 x 3/4"	5	50	ZCF341A34022000	86	30	30	62
22 x 1"	5	50	ZCF341B01022000	81	37	35	57
28 x 1"	5	30	ZCF341B01028000	83	46	45	58
35 x 1"1/4	5	15	ZCF341B14035000	88	52	50	62
42 x 1"1/2	1	10	ZCF341B12042000	98	64	60	62
54 x 2"	1	8	ZCF341C02054000	106	85	75	66

Aplicaciones



HEATING



HVAC



COMPRESSED
AIR