



FRABO

frabo
press
C-STEEL V
ZC0130

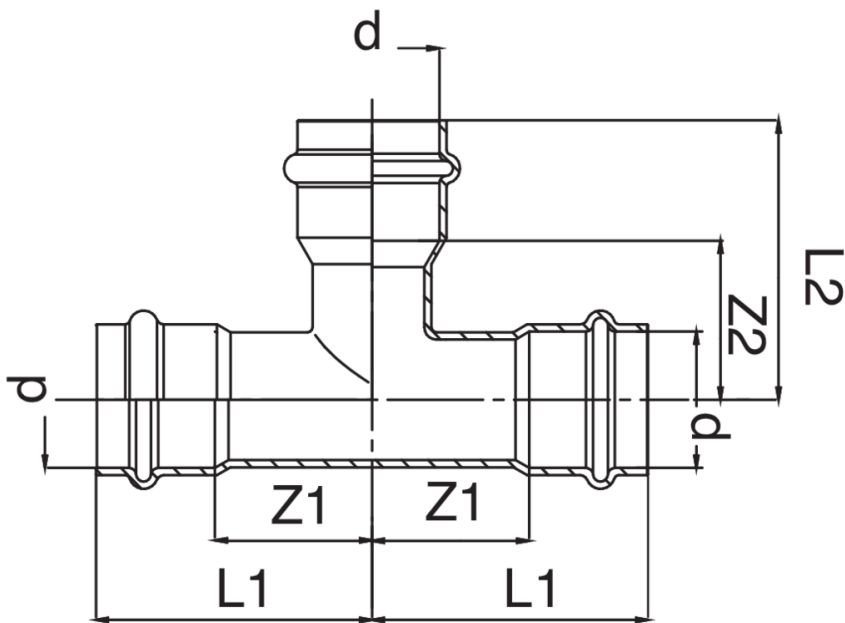
PATENTED



T H/H/H.



Especificaciones técnicas



D	BAG	MASTER BOX	CÓDIGO	L1	L2	Z1	Z2
12	10	100	ZC0130012012012	29	30	11	12
15	10	100	ZC0130015015015	41	42	19	20
18	10	50	ZC0130018018018	46	56	23	33
22	5	40	ZC0130022022022	49	54	25	30
28	5	30	ZC0130028028028	58	58	33	33
35	5	20	ZC0130035035035	58	62	32	36
42	1	10	ZC0130042042042	71	75	35	39
54	1	10	ZC0130054054054	82	86	42	46

The big-size, item AC0130, is available.

Aplicaciones



HEATING



HVAC



COMPRESSED
AIR