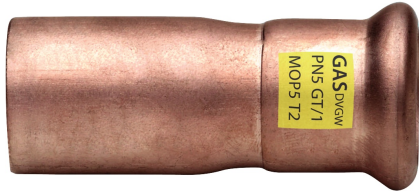
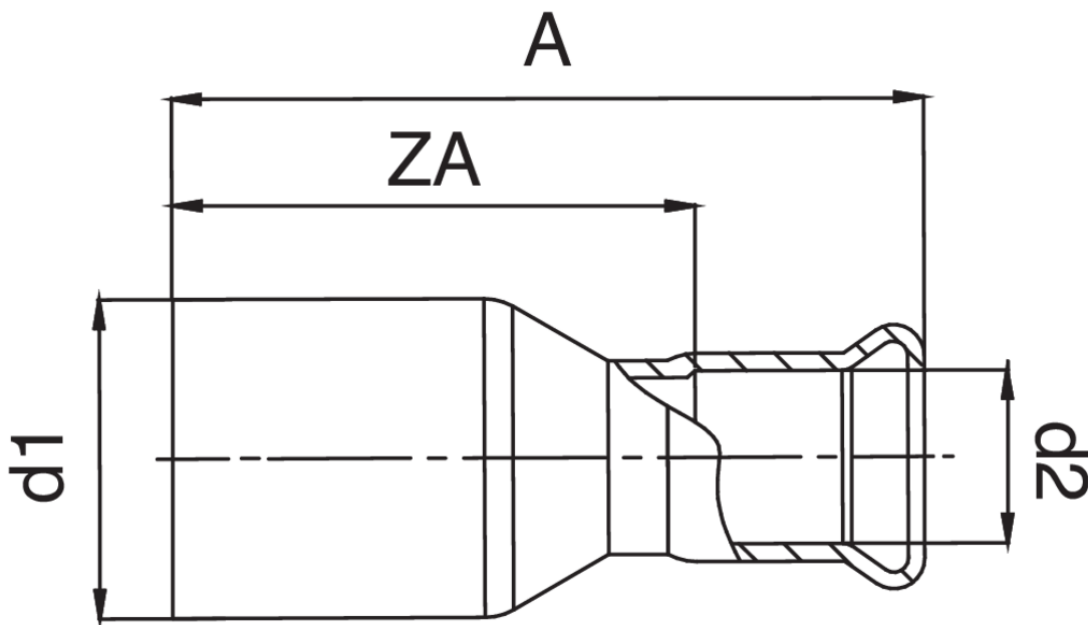


Reducción M/H de cobre.



Especificaciones técnicas



D1 X D2	BAG	MASTER BOX	CÓDIGO	A	ZA
15 x 12	10	300	QM9243015012000	45	24
18 x 12	10	300	QM9243018012000	46	24
18 x 15	10	100	QM9243018015000	51	24
22 x 15	10	150	QM9243022015000	50	25
22 x 18	10	150	QM9243022018000	50	25
28 x 15	10	100	QM9243028015000	55	28
28 x 18	10	100	QM9243028018000	54	28
28 x 22	10	100	QM9243028022000	53	28
35 x 22	10	60	QM9243035022000	60	31
35 x 28	10	50	QM9243035028000	60	31
42 x 22	5	50	QM9243042022000	67	35
42 x 28	5	40	QM9243042028000	67	35
42 x 35	5	40	QM9243042035000	66	35
54 x 35	5	20	QM9243054035000	79	40
54 x 42	5	20	QM9243054042000	77	40

Aplicaciones



COMPRESSED
AIR



GAS



INDUSTRIAL