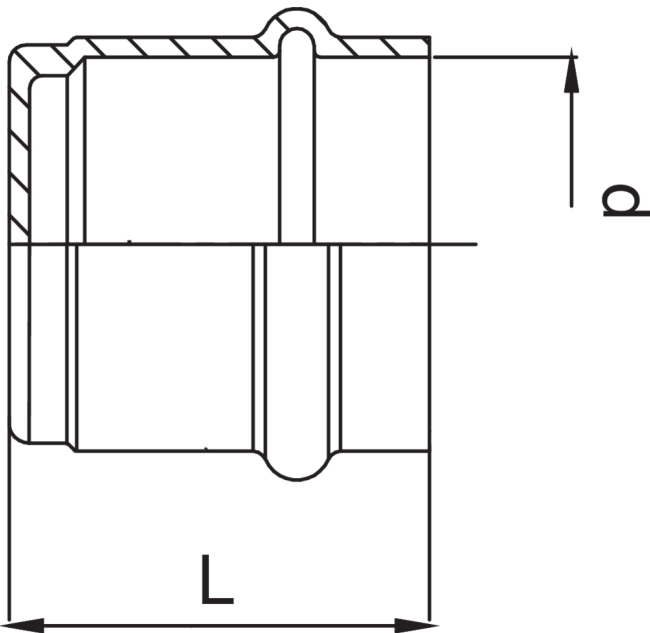




Tapón H de cobre.

Especificaciones técnicas



| D | BAG | MASTER BOX | CÓDIGO | L |
|----|-----|------------|-----------------|----|
| 15 | 10 | 400 | PG9301015000000 | 25 |
| 18 | 10 | 300 | PG9301018000000 | 26 |
| 22 | 10 | 200 | PG9301022000000 | 27 |
| 28 | 10 | 150 | PG9301028000000 | 28 |
| 35 | 5 | 70 | PG9301035000000 | 30 |
| 42 | 5 | 40 | PG9301042000000 | 40 |
| 54 | 5 | 30 | PG9301054000000 | 45 |

Aplicaciones



GAS



INDUSTRIAL



COMPRESSED
AIR