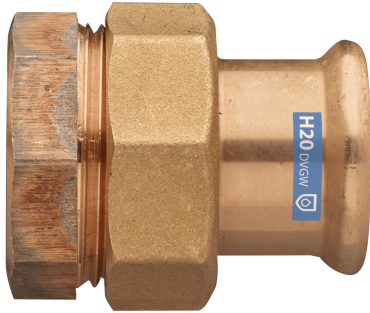


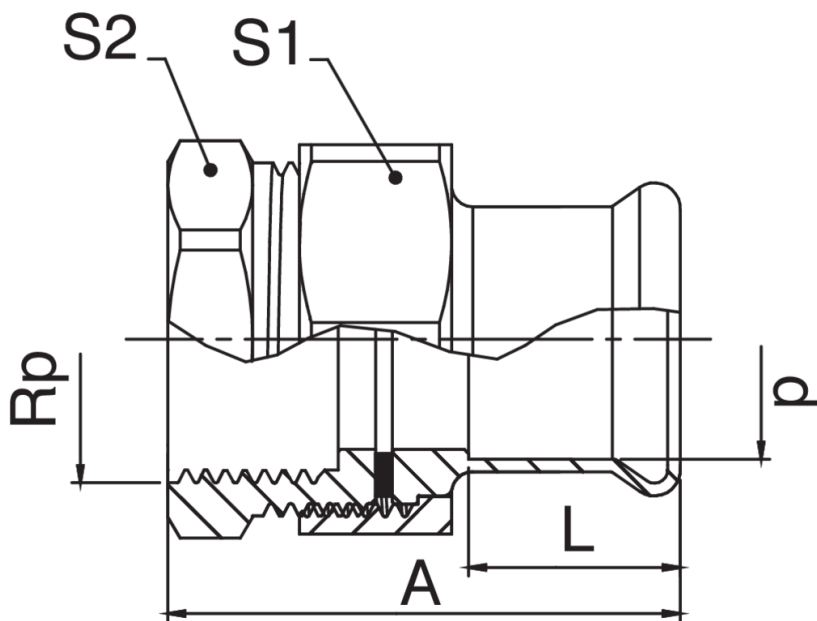
Unión H/rosca hembra de bronce.



NEW



## Especificaciones técnicas



| D X RP     | BAG | MASTER BOX | CÓDIGO          | A  | L  | S1 | S2 |
|------------|-----|------------|-----------------|----|----|----|----|
| 15 x 1/2"  | 1   | 60         | ZM8345A12015000 | 52 | 20 | 30 | 27 |
| 22 x 3/4"  | 5   | 50         | ZM8345A34022000 | 62 | 23 | 37 | 34 |
| 28 x 1"    | 5   | 20         | ZM8345B01028000 | 46 | 23 | 42 | 59 |
| 35 x 1"1/4 | 1   | 20         | ZM8345B14035000 | 46 | 26 | 48 | 68 |
| 42 x 1"1/2 | 1   | 10         | ZM8345B12042000 | 64 | 30 | 60 | 76 |
| 54 x 2"    | 1   | 8          | ZM8345C02054000 | 85 | 35 | 70 | 81 |

## Aplicaciones



DRINKING  
WATER



HEATING



HVAC



COMPRESSED  
AIR



FIREFIGHTING