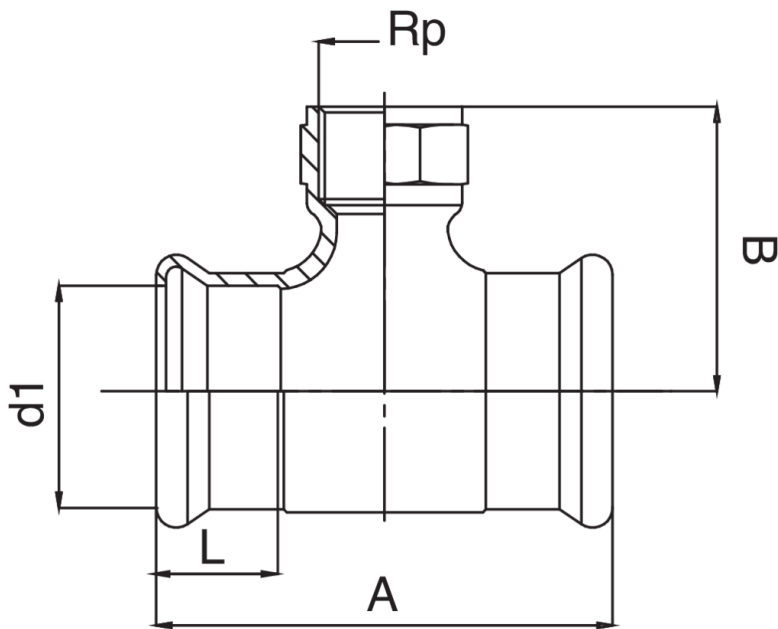


T H/rosca hembra/H de bronce.



Especificaciones técnicas



| D1 X RP | BAG | MASTER BOX | CÓDIGO | A | B | L |
|-----------|-----|------------|-----------------|-----|------|------|
| 12 x 1/2" | 10 | 100 | ZM8130012A12012 | 72 | 20,5 | 15,5 |
| 15 x 3/8" | 10 | 80 | ZM8130015A38015 | 43 | 22 | 19,5 |
| 15 x 1/2" | 10 | 80 | ZM8130015A12015 | 65 | 21,5 | 19,5 |
| 18 x 1/2" | 10 | 60 | ZM8130018A12018 | 78 | 25 | 19,5 |
| 22 x 1/2" | 5 | 50 | ZM8130022A12022 | 77 | 25 | 22,5 |
| 22 x 3/4" | 5 | 40 | ZM8130022A34022 | 80 | 45 | 22,5 |
| 28 x 1/2" | 5 | 25 | ZM8130028A12028 | 92 | 51 | 22,5 |
| 28 x 3/4" | 5 | 20 | ZM8130028A34028 | 92 | 52 | 22,5 |
| 28 x 1" | 5 | 25 | ZM8130028B01028 | 90 | 34 | 22,5 |
| 35 x 1/2" | 5 | 20 | ZM8130035A12035 | 84 | 40 | 22,5 |
| 42 x 1/2" | 1 | 10 | ZM8130042A12042 | 95 | 44,5 | 29,5 |
| 54 x 1/2" | 1 | 10 | ZM8130054A12054 | 103 | 53 | 34,5 |

Aplicaciones



DRINKING
WATER



HEATING



HVAC



COMPRESSED
AIR



FIREFIGHTING