

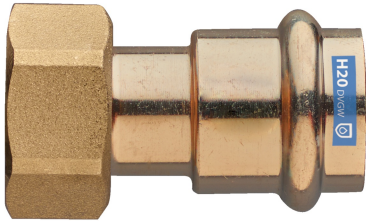


**FRABO**

**frabo**  
**press**  
V

**RZ8359**

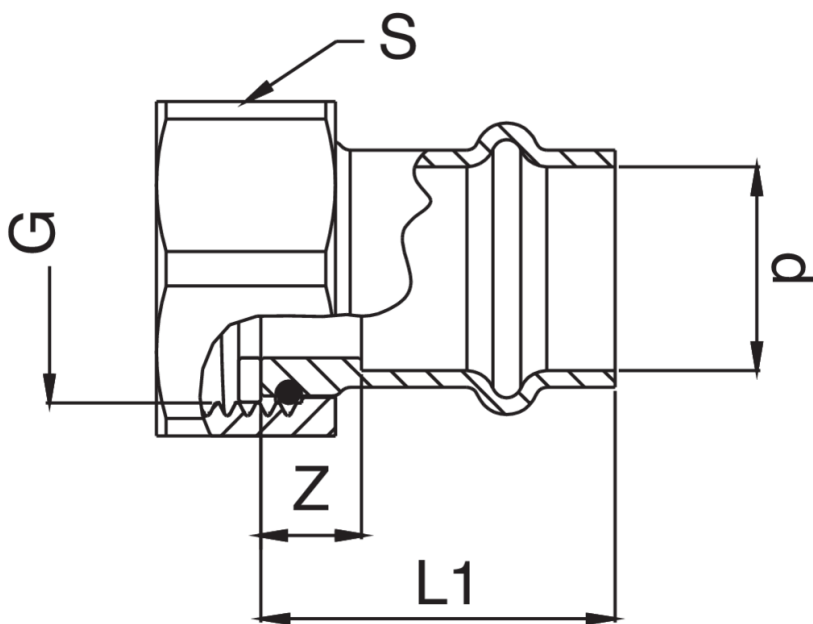
**PATENTED**



Conexión de bronce H/rosca hembra con tuerca giratoria de latón.



## Especificaciones técnicas



| D X G      | BAG | MASTER BOX | CÓDIGO          | L1 | S  | Z  |
|------------|-----|------------|-----------------|----|----|----|
| 12 x 3/8"  | 10  | 150        | RZ8359A38012000 | 40 | 20 | 18 |
| 12 x 1/2"  | 10  | 150        | RZ8359A12012000 | 30 | 24 | 12 |
| 12 x 3/4"  | 10  | 100        | RZ8359A34012000 | 25 | 30 | 7  |
| 14 x 3/8"  | 10  | 100        | RZ8359A38014000 | 43 | 20 | 21 |
| 14 x 1/2"  | 10  | 100        | RZ8359A12014000 | 31 | 24 | 9  |
| 14 x 3/4"  | 10  | 150        | RZ8359A34014000 | 29 | 30 | 7  |
| 15 x 1/2"  | 10  | 100        | RZ8359A12015000 | 44 | 24 | 22 |
| 15 x 3/4"  | 10  | 150        | RZ8359A34015000 | 29 | 30 | 7  |
| 16 x 1/2"  | 10  | 100        | RZ8359A12016000 | 44 | 24 | 22 |
| 16 x 3/4"  | 10  | 100        | RZ8359A34016000 | 32 | 30 | 10 |
| 18 x 3/4"  | 10  | 70         | RZ8359A34018000 | 32 | 30 | 9  |
| 18 x 1"    | 10  | 100        | RZ8359018B01000 | 33 | 37 | 10 |
| 22 x 3/4"  | 10  | 80         | RZ8359022A34000 | 46 | 30 | 22 |
| 22 x 1"    | 10  | 100        | RZ8359022B01000 | 38 | 37 | 14 |
| 28 x 1"1/4 | 5   | 50         | RZ8359B14028000 | 34 | 46 | 9  |
| 28 x 1"1/2 | 5   | 30         | RZ8359028B12000 | 34 | 52 | 9  |
| 35 x 2"    | 5   | 20         | RZ8359035C02000 | 34 | 64 | 8  |
| 42 x 2"    | 5   | 20         | RZ8359042C02000 | 48 | 64 | 12 |

## Aplicaciones



DRINKING  
WATER



HEATING



HVAC



COMPRESSED  
AIR



FIREFIGHTING