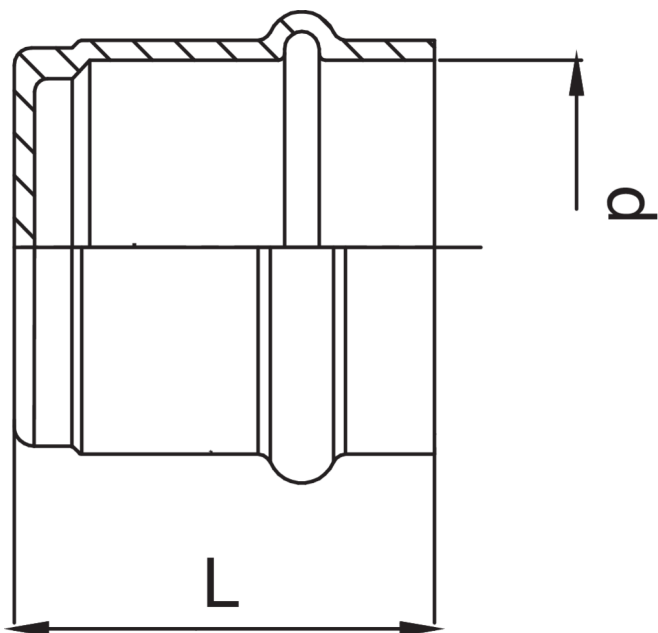




Tapón H de cobre.



Especificaciones técnicas



| D | BAG | MASTER BOX | CÓDIGO | L |
|----|-----|------------|-----------------|----|
| 12 | 10 | 500 | RZ9301012000000 | 21 |
| 14 | 10 | 400 | RZ9301014000000 | 25 |
| 15 | 10 | 400 | RZ9301015000000 | 25 |
| 16 | 10 | 200 | RZ9301016000000 | 25 |
| 18 | 10 | 300 | RZ9301018000000 | 26 |
| 22 | 10 | 200 | RZ9301022000000 | 27 |
| 28 | 10 | 100 | RZ9301028000000 | 28 |
| 35 | 5 | 70 | RZ9301035000000 | 30 |
| 42 | 5 | 40 | RZ9301042000000 | 40 |
| 54 | 5 | 30 | RZ9301054000000 | 45 |

The big-size, item RR9301, is available.

Aplicaciones



DRINKING
WATER



HEATING



HVAC



COMPRESSED
AIR



FIREFIGHTING