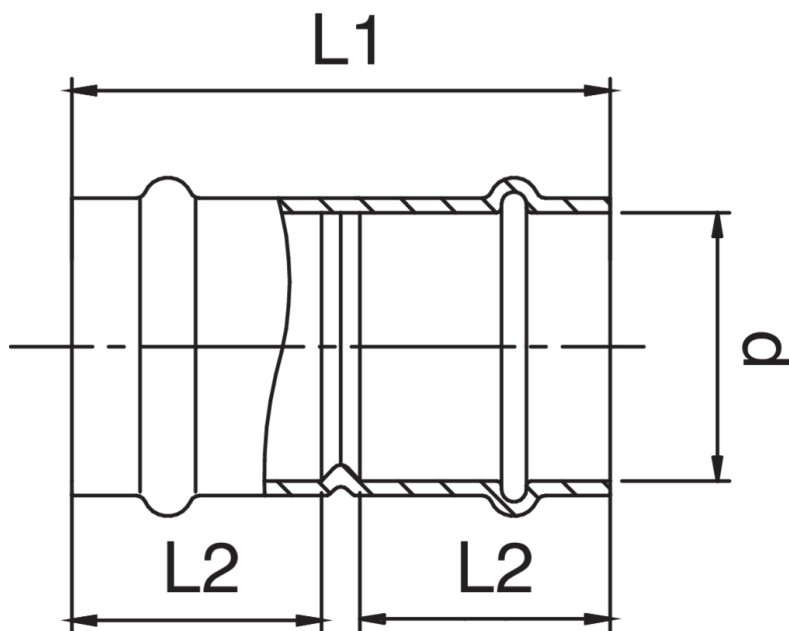


Manguito con remante H/H de cobre.



Especificaciones técnicas



D	BAG	MASTER BOX	CÓDIGO	L1	L2
12	10	300	RZ9270012012000	40	18
14	10	200	RZ9270014014000	49	22
15	10	200	RZ9270015015000	49	22
16	10	200	RZ9270016016000	49	22
18	10	150	RZ9270018018000	52	23
22	10	100	RZ9270022022000	53	24
28	10	60	RZ9270028028000	57	25
35	5	40	RZ9270035035000	62	26
42	5	25	RZ9270042042000	78	36
54	1	15	RZ9270054054000	93	40

The big-size, item RR9270, is available.

Aplicaciones



DRINKING
WATER



HEATING



HVAC



COMPRESSED
AIR



FIREFIGHTING