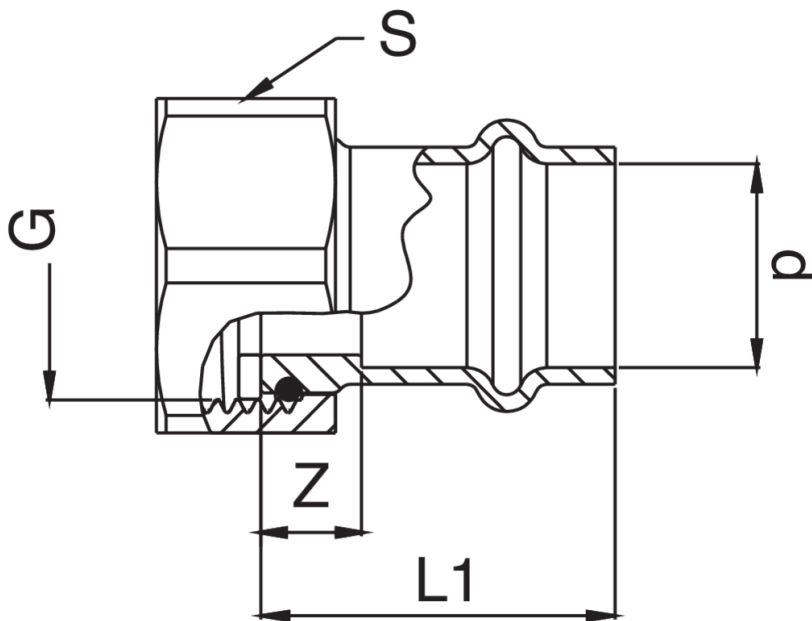


Conexión de bronce H/rosca hembra con tuerca giratoria de latón.



Especificaciones técnicas



D X G	BAG	MASTER BOX	CÓDIGO	L1	S	Z
12 x 3/4"	10	100	RS8359A34012000	25	30	7
15 x 1/2"	10	150	RS8359A12015000	44	24	22
15 x 3/4"	10	100	RS8359A34015000	29	30	7
18 x 3/4"	10	150	RS8359A34018000	32	30	9
18 x 1"	10	100	RS8359B01018000	33	37	10
22 x 3/4"	10	80	RS8359A34022000	46	30	22
22 x 1"	10	100	RS8359B01022000	38	37	14
28 x 1"1/4	5	30	RS8359B14028000	34	46	9
28 x 1"1/2	10	50	RS8359B12028000	34	52	9
35 x 2"	5	20	RS8359C02035000	34	64	8
42 x 2"	5	20	RS8359C02042000	48	64	12
54 x 2"1/2	5	10	RS8359C12054000	45	81	5

Aplicaciones



DRINKING
WATER



HEATING



HVAC



GAS



COMPRESSED
AIR



FIREFIGHTING