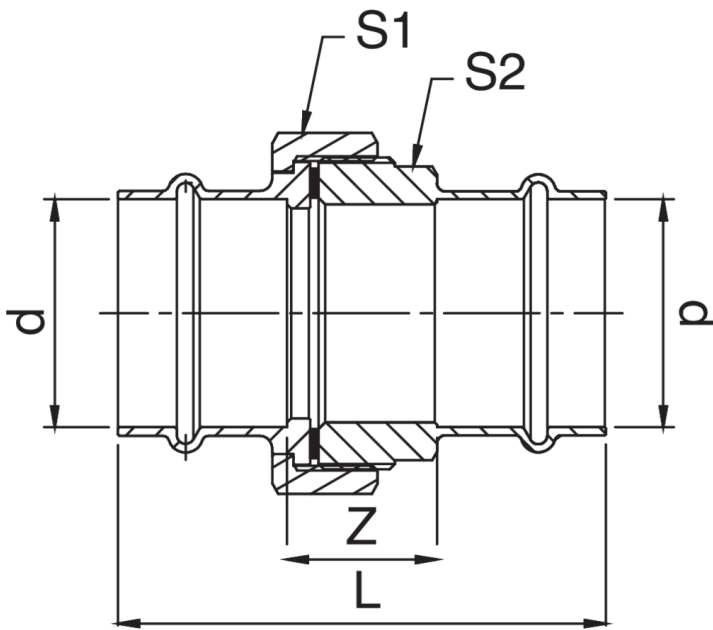


Unión H/H de bronce.



Especificaciones técnicas



D	BAG	MASTER BOX	CÓDIGO	L	S1	S2	Z
12	10	50	RS8340012012000	65	24	25	29
15	10	100	RS8340015015000	73	24	25	29
18	10	100	RS8340018018000	78	30	31	32
22	5	40	RS8340022022000	86	37	34	38
28	5	30	RS8340028028000	86	46	42	36
35	5	20	RS8340035035000	93	52	50	41
42	1	10	RS8340042042000	118	64	60	46
54	1	8	RS8340054054000	115	85	75	35

Aplicaciones



DRINKING WATER



HEATING



HVAC



GAS



COMPRESSED AIR



FIREFIGHTING