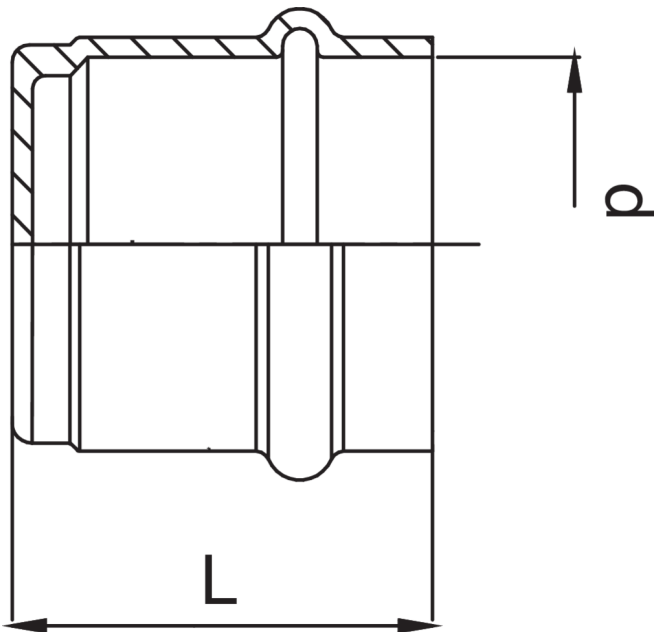




## Especificaciones técnicas



D	BAG	MASTER BOX	CÓDIGO	L
12	10	100	RS9301012000000	21
15	10	400	RS9301015000000	25
18	10	300	RS9301018000000	26
22	10	200	RS9301022000000	27
28	10	100	RS9301028000000	28
35	5	70	RS9301035000000	30
42	5	40	RS9301042000000	40
54	5	30	RS9301054000000	45

The big-size, item RR9301, is available.

## Aplicaciones



DRINKING  
WATER



HEATING



HVAC



GAS



COMPRESSED  
AIR



FIREFIGHTING