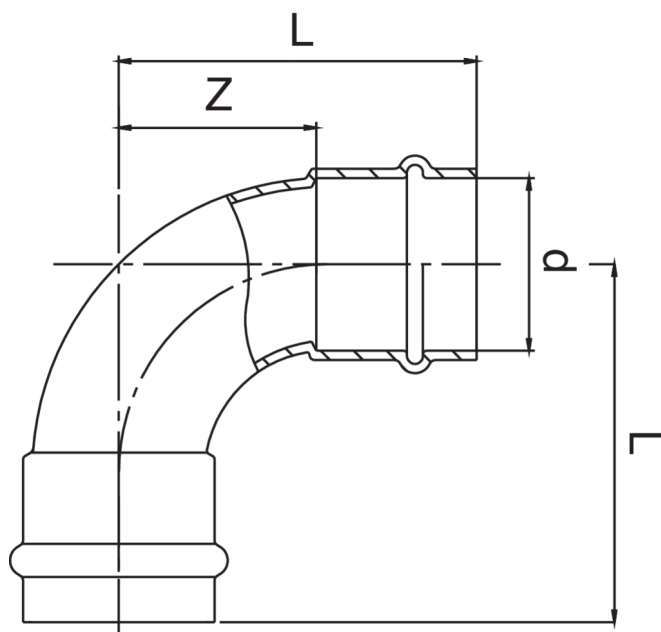


Curva 90° H/H de cobre.

## Especificaciones técnicas



| D  | BAG | MASTER BOX | CÓDIGO          | L   | Z  |
|----|-----|------------|-----------------|-----|----|
| 12 | 10  | 250        | RS9002012012000 | 33  | 15 |
| 15 | 10  | 150        | RS9002015015000 | 40  | 18 |
| 18 | 10  | 100        | RS9002018018000 | 45  | 22 |
| 22 | 10  | 60         | RS9002022022000 | 47  | 23 |
| 28 | 5   | 40         | RS9002028028000 | 59  | 34 |
| 35 | 5   | 30         | RS9002035035000 | 68  | 42 |
| 42 | 1   | 10         | RS9002042042000 | 87  | 51 |
| 54 | 1   | 7          | RS9002054054000 | 105 | 65 |

The big-size, item RR9002, is available.

## Aplicaciones



DRINKING  
WATER



HEATING



HVAC



GAS



COMPRESSED  
AIR



FIREFIGHTING