

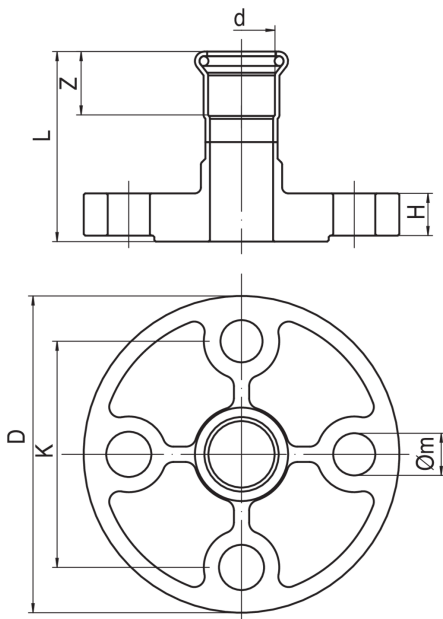


Manguito bridado PN6.

NEW



Especificaciones técnicas



| DN | BAG | MASTER BOX | CÓDIGO | D | L | H | Z | D | K | M | N° HOLES |
|----|-----|------------|-----------------|----|------|----|------|-----|-----|----|----------|
| 10 | 5 | 40 | MX0274015000000 | 15 | 54,5 | 10 | 19 | 80 | 55 | 11 | 4 |
| 15 | 5 | 40 | MX0274018000000 | 18 | 56,5 | 10 | 19,5 | 80 | 55 | 11 | 4 |
| 20 | 5 | 40 | MX0274022000000 | 22 | 61,5 | 12 | 21 | 90 | 65 | 11 | 4 |
| 25 | 2 | 20 | MX0274028000000 | 28 | 63 | 12 | 22 | 100 | 75 | 11 | 4 |
| 32 | 2 | 40 | MX0274035000000 | 35 | 70 | 12 | 27 | 120 | 90 | 14 | 4 |
| 40 | 2 | 30 | MX0274042000000 | 42 | 72 | 12 | 30 | 130 | 100 | 14 | 4 |
| 50 | 2 | 20 | MX0274054000000 | 54 | 78 | 12 | 35 | 140 | 110 | 14 | 4 |

Aplicaciones



DRINKING
WATER



HEATING



HVAC



COMPRESSED
AIR



FIREFIGHTING



MARINE



STEAM



SOLAR



INDUSTRIAL