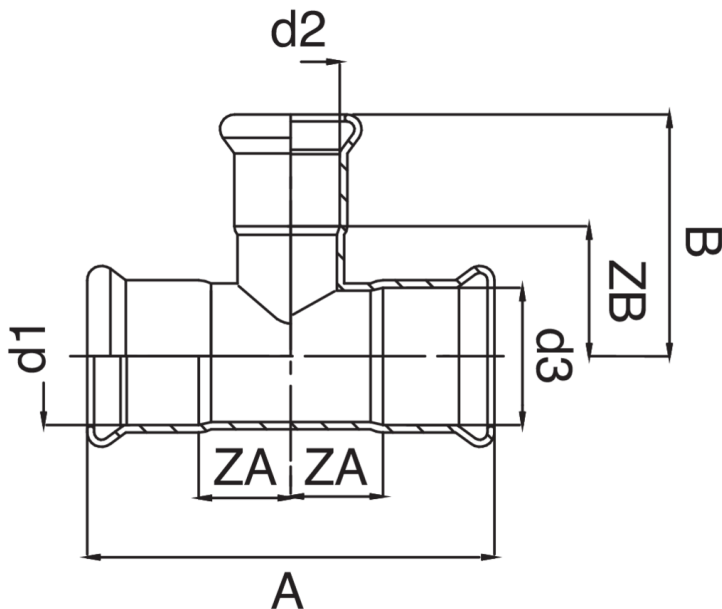


T reducido H/H/H de cobre.



Especificaciones técnicas



D1 X D2 X D3	BAG	MASTER BOX	CÓDIGO	A	B	ZA	ZB
88.9 x 76.1 x 88.9	1	2	RR9131089076089	272	126	76	68
108 x 66.7 x 108	1	2	RR9131108067108	324	125	92	80
108 x 76.1 x 108	1	2	RR9131108076108	324	136	92	81
108 x 88.9 x 108	1	2	RR9131108089108	324	142	92	72

*d2 V profile

Aplicaciones



DRINKING
WATER



HEATING



HVAC



COMPRESSED
AIR



FIREFIGHTING