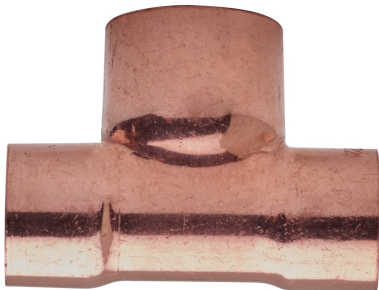
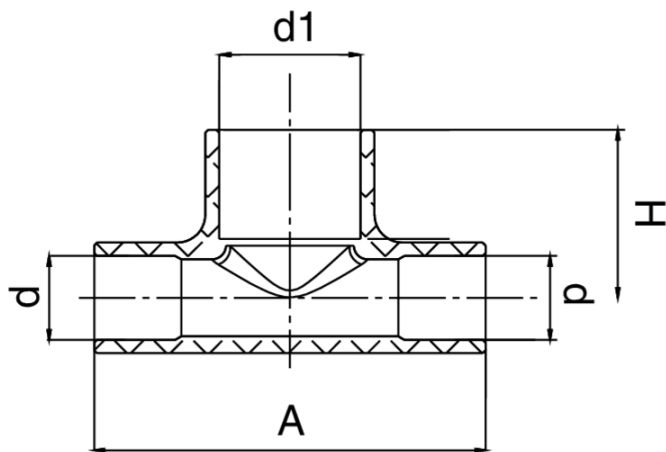


RR5130

T reducido lateral simétrico H/H/H.



Especificaciones técnicas



D X D1 X D	BAG	MASTER BOX	CÓDIGO	A	H
6 x 8 x 6	10	600	RR5130006008006	26	12
6 x 10 x 6	10	500	RR5130006010006	28	14
8 x 10 x 8	10	600	RR5130008010008	31	15
10 x 12 x 10	10	500	RR5130010012010	33	16
10 x 15 x 10	10	300	RR5130010015010	33	18,5
12 x 14 x 12	10	300	RR5130012014012	34,5	18,5
12 x 15 x 12	10	300	RR5130012015012	34,5	18,5
12 x 16 x 12	10	300	RR5130012016012	37	19,5
12 x 18 x 12	10	300	RR5130012018012	48	22
12 x 22 x 12	10	250	RR5130012022012	52	26
14 x 16 x 14	10	250	RR5130014016014	39	19,5
14 x 18 x 14	10	150	RR5130014018014	42,5	21
14 x 20 x 14	10	200	RR5130014020014	45	24
14 x 22 x 14	10	250	RR5130014022014	45	25
15 x 18 x 15	10	300	RR5130015018015	42	22
15 x 22 x 15	10	250	RR5130015022015	47	26
15 x 28 x 15	10	100	RR5130015028015	55	30
16 x 18 x 16	10	300	RR5130016018016	42	22
16 x 20 x 16	10	250	RR5130016020016	43	25
16 x 22 x 16	10	250	RR5130016022016	43	25
18 x 20 x 18	10	250	RR5130018020018	51	27
18 x 22 x 18	10	250	RR5130018022018	51	27
18 x 28 x 18	10	50	RR5130018028018	73	35
20 x 22 x 20	10	200	RR5130020022020	52	28
22 x 28 x 22	5	130	RR5130022028022	62,5	33
22 x 35 x 22	5	100	RR5130022035022	70	36
28 x 35 x 28	5	70	RR5130028035028	85	40
28 x 42 x 28	5	50	RR5130028042028	92	44
35 x 42 x 35	5	40	RR5130035042035	93	48,5
42 x 54 x 42	1	10	RR5130042054042	125	60
54 x 67 x 54	1	8	RR5130054067054	135	75

Aplicaciones



DRINKING
WATER



HEATING



HVAC



GAS



COMPRESSED
AIR



SOLAR



INDUSTRIAL