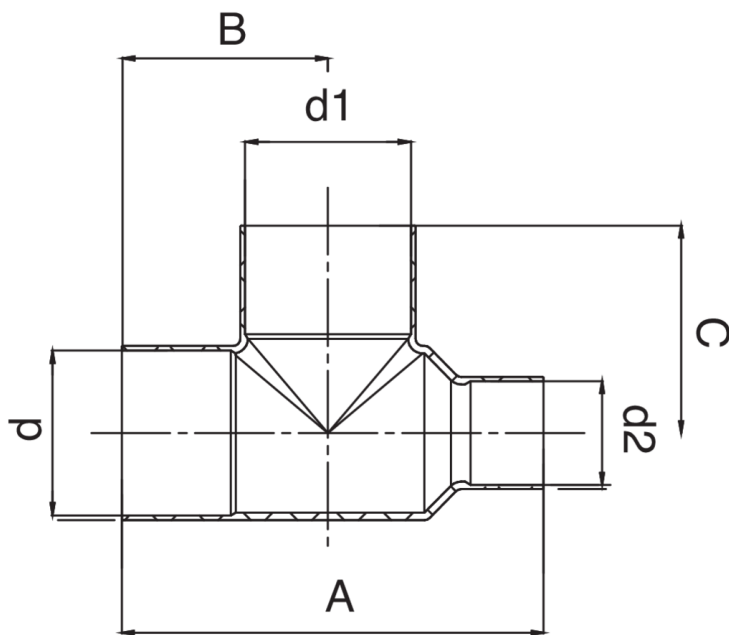


T reducido lateral H/H/H.

Especificaciones técnicas



| D X D1 X D2 | BAG | MASTER BOX | CÓDIGO | A | B | C |
|-----------------------|-----|------------|-----------------|-----|------|----|
| 1/4" x 3/8" x 3/8" | 10 | 500 | FR5130A14A38A38 | 26 | 14 | 13 |
| 1"5/8 x 1"3/8 x 1"3/8 | 5 | 20 | FR5130B58B38B38 | 96 | 47,5 | 48 |
| 2"1/8 x 1"5/8 x 1"5/8 | 1 | 5 | FR5130C18B58B58 | 119 | 58,5 | 58 |
| 2"5/8 x 2"1/8 x 2"1/8 | 1 | 10 | FR5130C58C18C18 | 120 | 60 | 60 |

Aplicaciones



REFRIGERATION

