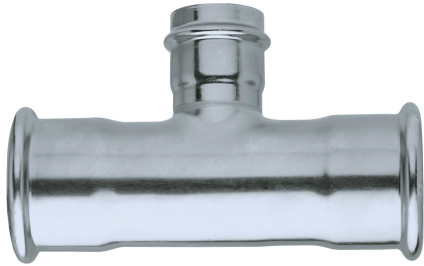




FRABO

frabo
press
C-STEEL M
AC0131

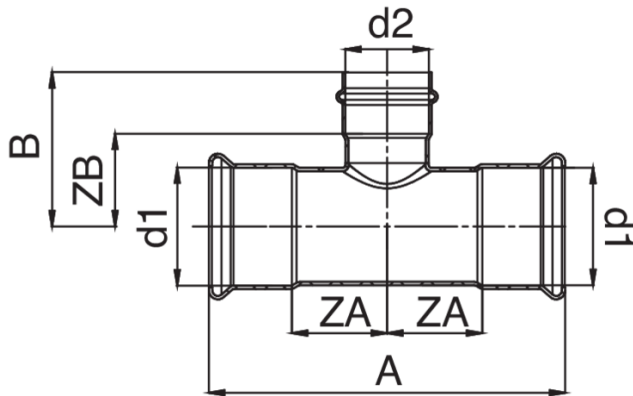
PATENTED



T reducido H/H/H.



Especificaciones técnicas



D1 X D2 X D1	BAG	MASTER BOX	CÓDIGO	A	B	ZA	ZB
76.1 x 22* x 76.1	1	8	AC0131076022076	152	80,5	25	56,5
76.1 x 28* x 76.1	1	4	AC0131076028076	152	83	25	58
76.1 x 35* x 76.1	1	7	AC0131076035076	242	84	66	58
76.1 x 42* x 76.1	1	7	AC0131076042076	242	91,5	66	55,5
76.1 x 54* x 76.1	1	4	AC0131076054076	242	101	66	61
88.9 x 22* x 88.9	1	6	AC0131089022089	175	87	27	63
88.9 x 28* x 88.9	1	6	AC0131089028089	175	89,5	27	64,5
88.9 x 35* x 88.9	1	6	AC0131089035089	272	90,5	76	64,5
88.9 x 42* x 88.9	1	4	AC0131089042089	272	98	76	62
88.9 x 54* x 88.9	1	7	AC0131089054089	272	107,5	76	67,5
108 x 22* x 108	1	3	AC0131108022108	204	96,5	33	72,5
108 x 28* x 108	1	3	AC0131108028108	204	99	33	74
108 x 35* x 108	1	3	AC0131108035108	324	100	92	74
108 x 42* x 108	1	3	AC0131108042108	324	107,5	92	71,5
108 x 54* x 108	1	2	AC0131108054108	324	117	92	77

* V Profile.

Aplicaciones



HEATING



HVAC



COMPRESSED
AIR