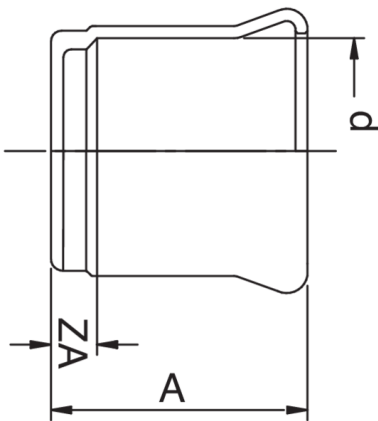




F plug.



Technical specifications



D	BAG	MASTER BOX	CODE	A	ZA
66,7	1	10	AC0302067000000	83	38
76,1	1	20	AC0302076000000	81	26
88,9	1	10	AC0302089000000	89	29
108	1	6	AC0302108000000	109	39

Applications



HEATING



HVAC



COMPRESSED
AIR