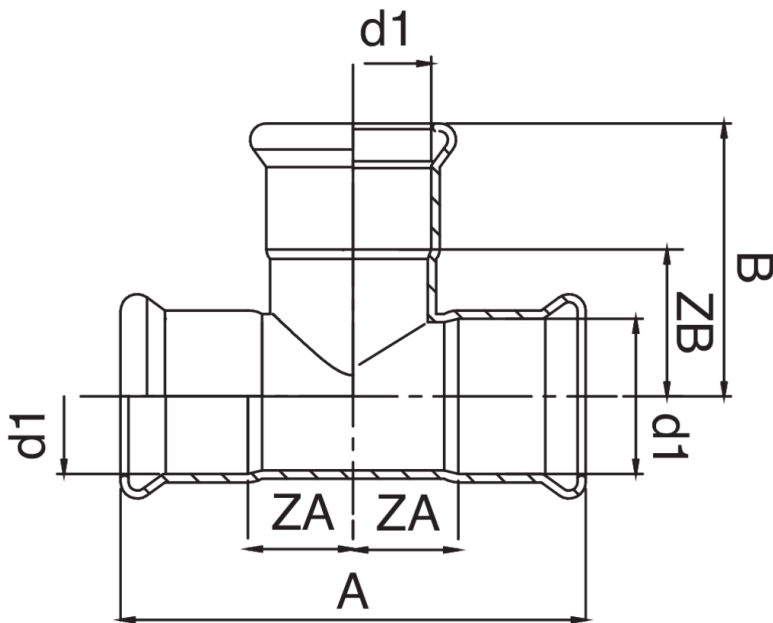


F/F/F tee.



Technical specifications



D1	BAG	MASTER BOX	CODE	A	B	ZA	ZB
66,7	1	8	AC0130067067067	182	104	46	59
76,1	1	5	AC0130076076076	242	121,5	66	66,5
88,9	1	4	AC0130089089089	272	133	76	73
108	1	1	AC0130108108108	324	165	92	95

Applications



HEATING



HVAC



COMPRESSED
AIR