

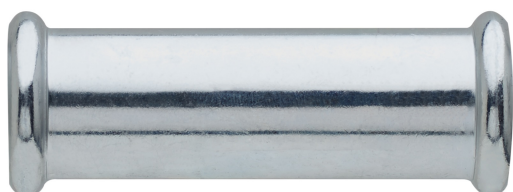


FRABO

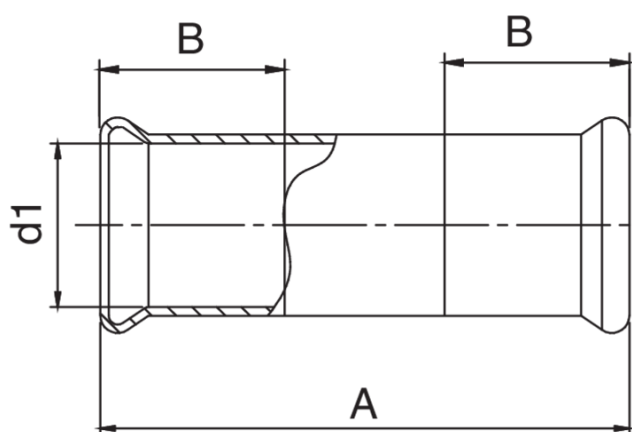
frabo
press
C-STEEL M
AC0271

PATENTED

F/F slip coupling.



Technical specifications



D1	BAG	MASTER BOX	CODE	A
66,7	1	10	AC0271067067000	232
76,1	1	8	AC0271076076000	242
88,9	1	6	AC0271089089000	272
108	1	3	AC0271108108000	324

Applications



HEATING



HVAC



COMPRESSED
AIR