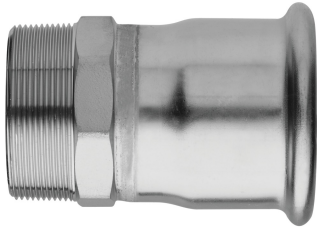




**FRABO**

**frabo**  
**press**  
316 M  
**AXF243**

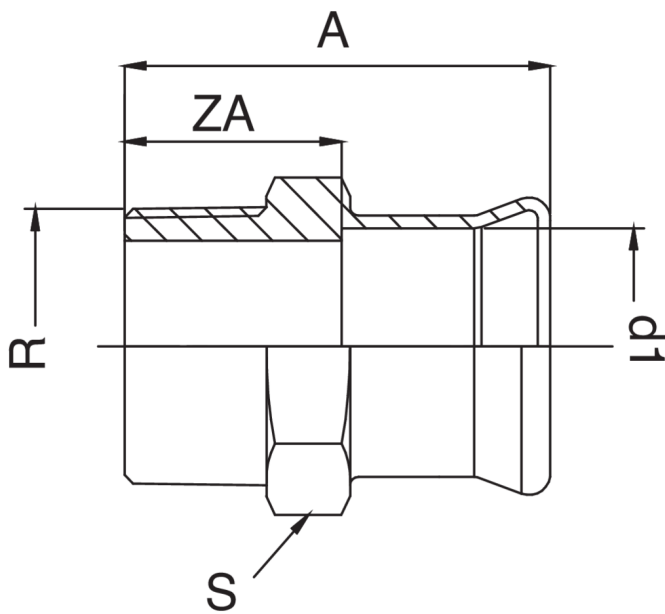
**PATENTED**



F/male thread adapter.



## Technical specifications



| D1 X R       | BAG | MASTER BOX | CODE            | A     | S   | ZA   |
|--------------|-----|------------|-----------------|-------|-----|------|
| 76,1 x 2"1/2 | 1   | 8          | AXF243C12076000 | 128   | 86  | 73   |
| 88,9 x 3"    | 1   | 5          | AXF243D03089000 | 141,5 | 98  | 81,5 |
| 108 x 4"     | 1   | 3          | AXF243E04108000 | 169   | 122 | 99   |

# Applications



DRINKING WATER



HEATING



HVAC



COMPRESSED AIR



FIREFIGHTING



MARINE



STEAM



SOLAR



INDUSTRIAL