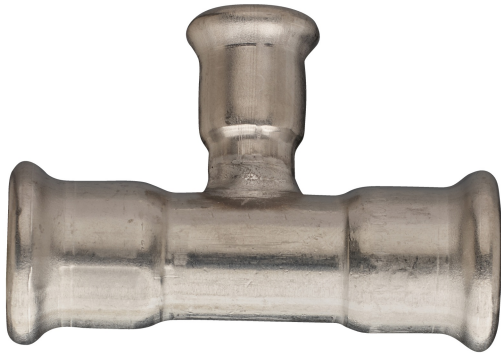




**FRABO**

**frabo**  
**press**  
316 M  
**AMX131**

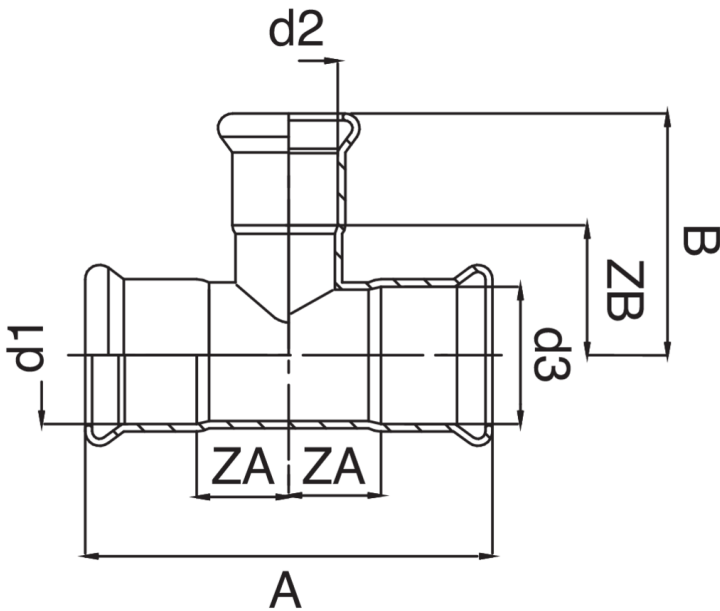
**PATENTED**



F/F/F reducing tee.



## Technical specifications



D1 X D2 X D3	BAG	MASTER BOX	CODE	A	B	ZA	ZB
76,1 x 22 x 76,1	1	5	AMX131076022076	242	79	66	56
76,1 x 28 x 76,1	1	7	AMX131076028076	242	81	66	58
76,1 x 35 x 76,1	1	5	AMX131076035076	242	84	66	58
76,1 x 42 x 76,1	1	5	AMX131076042076	242	87	66	56
76,1 x 54 x 76,1	1	5	AMX131076054076	242	96	66	61
88,9 x 22 x 88,9	1	3	AMX131089022089	272	86	76	85
88,9 x 28 x 88,9	1	2	AMX131089028089	272	88	76	63
88,9 x 35 x 88,9	1	2	AMX131089035089	272	91	76	65
88,9 x 42 x 88,9	1	4	AMX131089042089	272	94	76	62
88,9 x 54 x 88,9	1	4	AMX131089054089	272	103	76	68
108 x 22 x 108	1	2	AMX131108022108	324	95	92	73
108 x 28 x 108	1	2	AMX131108028108	324	97	92	74
108 x 35 x 108	1	2	AMX131108035108	324	100	92	74
108 x 42 x 108	1	2	AMX131108042108	324	103	92	72
108 x 54 x 108	1	2	AMX131108054108	324	112	92	77

## Applications



DRINKING WATER



HEATING



HVAC



COMPRESSED AIR



FIREFIGHTING



MARINE



STEAM



SOLAR



INDUSTRIAL