



**FRABO**

**frabo**  
**press**  
316 M  
**AX0040**

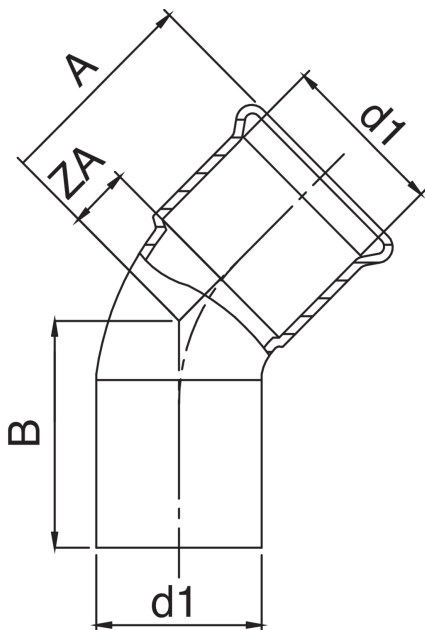
**PATENTED**



M/F 45° elbow.



## Technical specifications



D1	BAG	MASTER BOX	CODE	A	B	ZA
76,1	1	5	AX0040076076000	98	117	43
88,9	1	3	AX0040089089000	112	131	49
108	1	3	AX0040108108000	138	154	61

## Applications



DRINKING  
WATER



HEATING



HVAC



COMPRESSED  
AIR



FIREFIGHTING



MARINE



STEAM



SOLAR



INDUSTRIAL