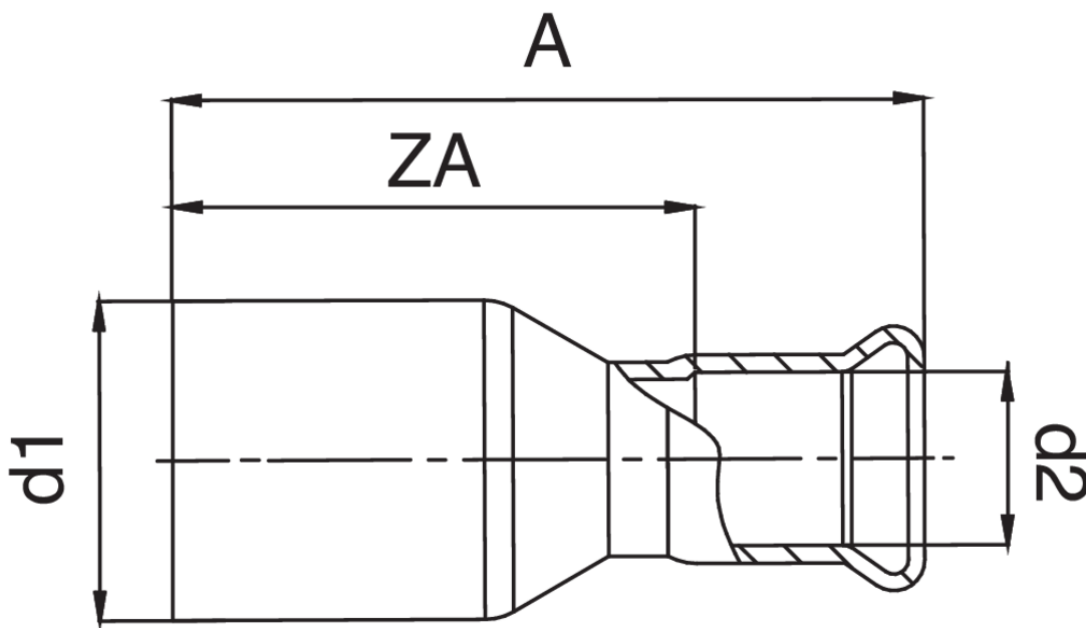


Copper M/F reducer.



Technical specifications



D1 X D2	BAG	MASTER BOX	CODE	A	ZA
76,1 x 66,7	1	10	RR9243076067000	-	-
88,9 x 76,1	1	15	RR9243089076000	176	121
108 x 66,7	1	5	RR9243108067000	-	-
108 x 76,1	1	5	RR9243108076000	255	190
108 x 88,9	1	5	RR9243108089000	246	176

Applications



DRINKING WATER



HEATING



HVAC



COMPRESSED AIR



FIREFIGHTING