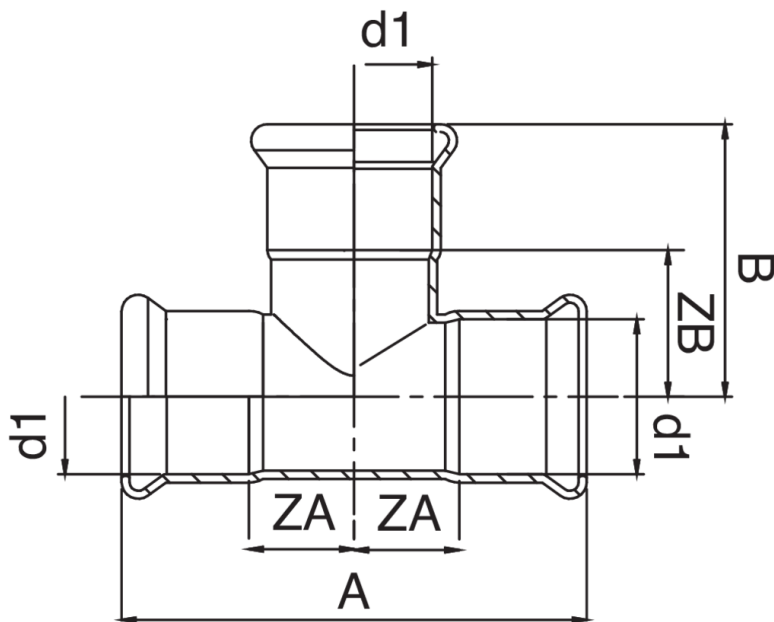




Copper F/F/F tee.



Technical specifications



| D1 | BAG | MASTER BOX | CODE | A | B | ZA | ZB |
|------|-----|------------|-----------------|-----|-----|----|-----|
| 66,7 | 1 | 5 | RR9130067067067 | 182 | 104 | 59 | 46 |
| 76,1 | 1 | 5 | RR9130076076076 | 242 | 66 | 63 | 118 |
| 88,9 | 1 | 4 | RR9130089089089 | 272 | 76 | 70 | 130 |
| 108 | 1 | 2 | RR9130108108108 | 324 | 92 | 90 | 160 |

Applications



DRINKING WATER



HEATING



HVAC



COMPRESSED AIR



FIREFIGHTING