



**FRABO**

**frabo**  
**press**  
**M**

**RR9041**

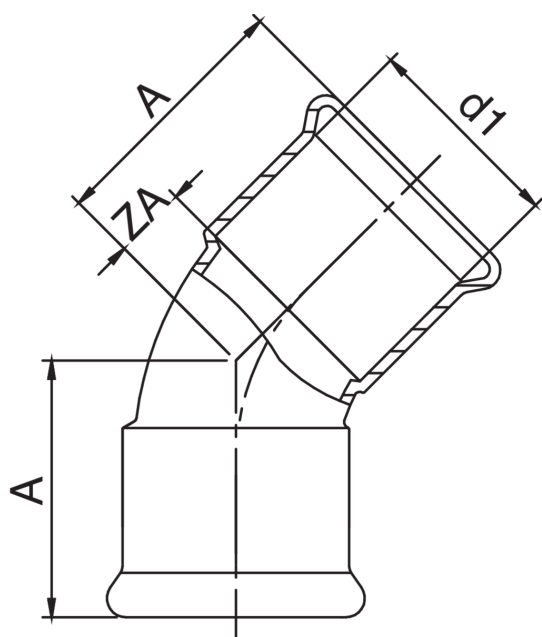
**PATENTED**



Copper F/F 45° elbow.



## Technical specifications



D1	BAG	MASTER BOX	CODE	A	ZA
66,7	1	10	RR9041067067000	78	33
76,1	1	10	RR9041076076000	93	38
88,9	1	4	RR9041089089000	104	44
108	1	2	RR9041108108000	124	68

## Applications



DRINKING  
WATER



HEATING



HVAC



COMPRESSED  
AIR



FIREFIGHTING