



**FRABO**

**frabo**  
**press**  
**M**

**RR9040**

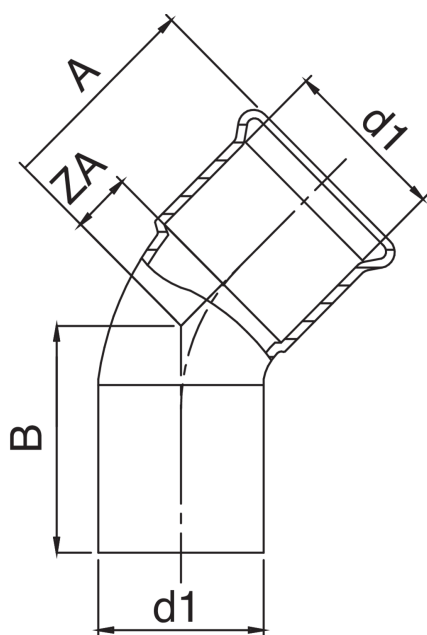
**PATENTED**



Copper M/F 45° elbow.



## Technical specifications



D1	BAG	MASTER BOX	CODE	A	B	ZA
66,7	1	10	RR9040067067000	78	88	33
76,1	1	10	RR9040076076000	93	104	38
88,9	1	5	RR9040089089000	104	115	44
108	1	3	RR9040108108000	124	136	68

## Applications



DRINKING  
WATER



HEATING



HVAC



COMPRESSED  
AIR



FIREFIGHTING