



frabo
press
M

RR9002

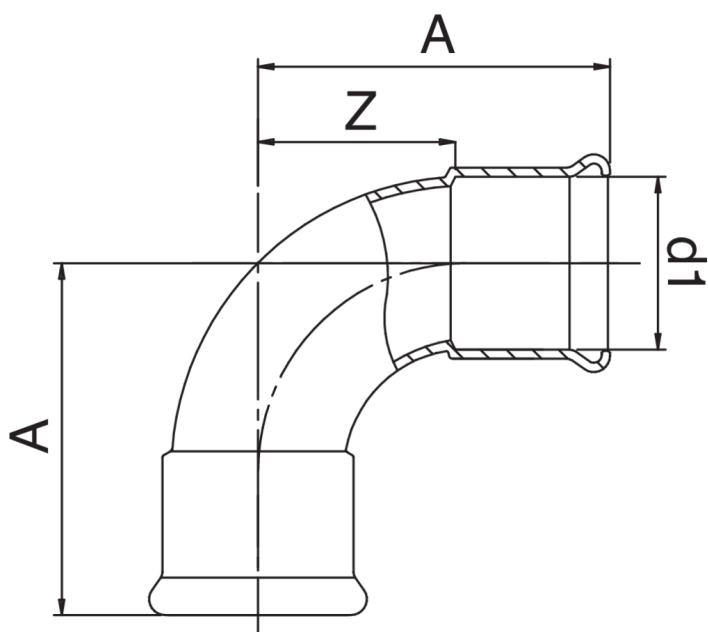
PATENTED



Copper F/F 90° elbow.



Technical specifications



D1	BAG	MASTER BOX	CODE	A	Z
66,7	1	6	RR9002067067000	125	80
76,1	1	6	RR9002076076000	146	91
88,9	1	5	RR9002089089000	167	107
108	1	2	RR9002108108000	200	130

Applications



DRINKING
WATER



HEATING



HVAC



COMPRESSED
AIR



FIREFIGHTING