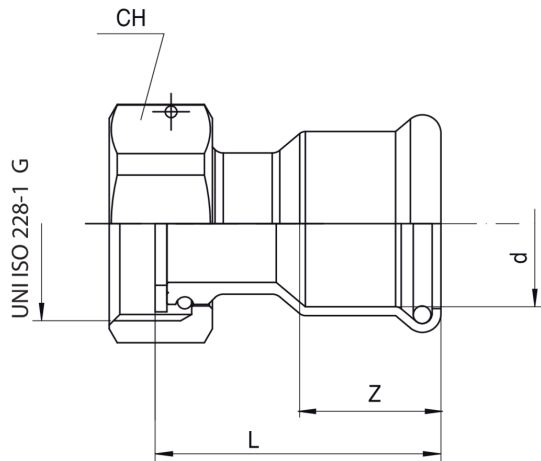




Valve connector with a swivel nut in brass.

## Technical specifications



D X G	BAG	MASTER BOX	CODE	CH	L	Z
15 x 3/4"	10	200	5N50001505	30	31,5	19
18 x 3/4"	10	200	5N50001805	30	31,5	19,5
22 x 3/4"	5	100	5N50002205	30	43,5	21
28 x G 1"	5	80	5N50002806	37	48,5	22
35 x 1"1/4	5	60	5N50003507	47	56,5	27
42 x 1"1/2	2	54	5N50004208	52	61	30
54 x 2"	2	30	5N50005410	64	71,5	35

## Applications



MARINE