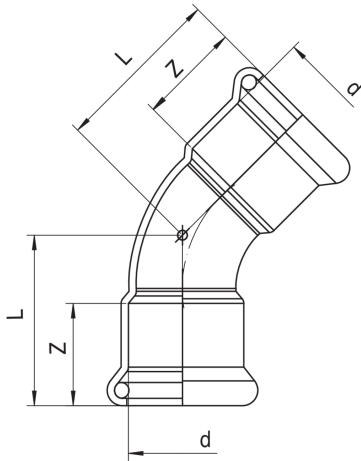




F/F 45° elbow.

Technical specifications



D	BAG	MASTER BOX	CODE	L	Z
15	10	250	5N140015	31	19
18	10	250	5N140018	32	19,5
22	5	120	5N140022	38	21
28	5	60	5N140028	41	22
35	5	50	5N140035	52	27
42	2	24	5N140042	66,3	30
54	2	16	5N140054	86,3	35
76,1	1	5	5N140076	101	54
88,9	1	3	5N140088	116	61
108	1	2	5N140108	153	76

Applications



MARINE