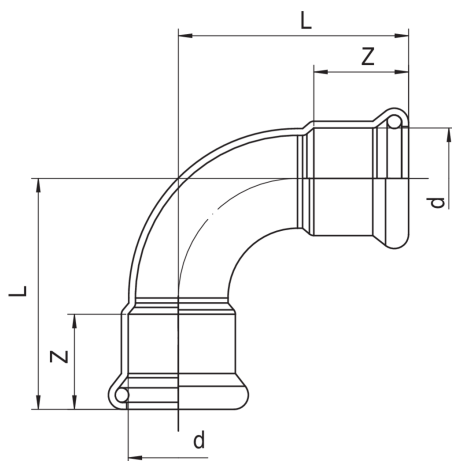




F/F 90° elbow.

Technical specifications



D	BAG	MASTER BOX	CODE	L	Z
15	10	250	5N120015	41	19
18	10	200	5N120018	45	19,5
22	5	125	5N120022	51	21
28	5	70	5N120028	60,5	22
35	5	40	5N120035	76,5	27
42	2	20	5N120042	95,9	30
54	2	8	5N120054	124,3	35
76,1	1	5	5N120076	160	54
88,9	1	2	5N120088	190	61
108	1	1	5N1200108	250	76

Applications



MARINE