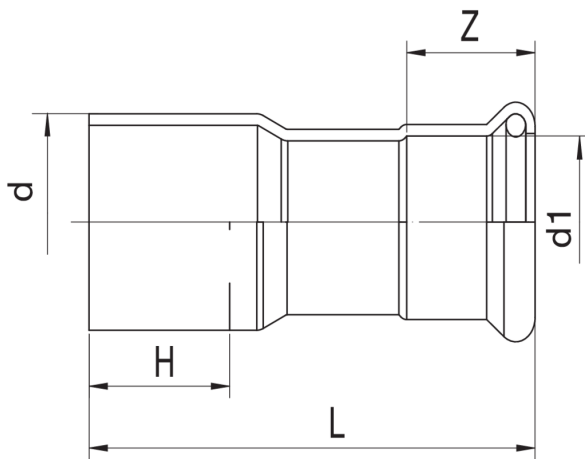




M/F reducer.

Technical specifications



D X D1	BAG	MASTER BOX	CODE	L	Z	H
18 x 15	10	250	5N04001815	54	19	19,5
22 x 15	10	250	5N04002215	64	19	21
22 x 18	10	250	5N04002218	60	19,5	21
28 x 15	10	200	5N04002815	70	19	22
28 x 18	10	200	5N04002818	70	19,5	22
28 x 22	5	150	5N04002822	69	21	22
35 x 22	5	100	5N04003522	71,5	21	27
35 x 28	5	100	5N04003528	72	22	27
42 x 28	2	80	5N04004228	77	22	30
42 x 35	2	60	5N04004235	80	27	30
54 x 35	2	40	5N04005435	104	27	35
54 x 42	2	30	5N04005442	98	30	35
76,1 x 54	1	18	5N04007654	144	35	54
88,9 x 54	1	12	5N04008854	171	35	61
88,9 x 76,1	1	10	5N04008876	160	54	61
108 x 76,1	1	5	5N040010876	210	54	76
108 x 88,9	1	4	5N040010888	199	61	76

Applications



MARINE