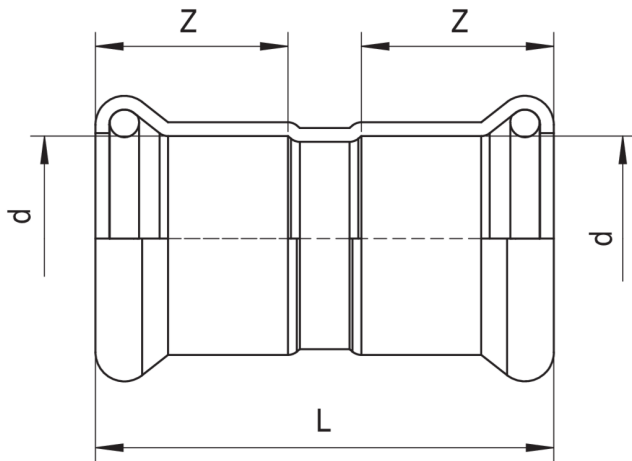




Joint with folder.

## Technical specifications



D	BAG	MASTER BOX	CODE	L	Z
15	10	250	5N020015	48	19
18	10	250	5N020018	49,5	19,5
22	5	200	5N020022	51	21
28	5	100	5N020028	55	22
35	5	75	5N020035	68,5	27
42	2	46	5N020042	78,5	30
54	2	28	5N020054	90	35
76,1	1	10	5N020076	130,5	54
88,9	1	8	5N020088	147	61
108	1	3	5N020108	189	76

## Applications

