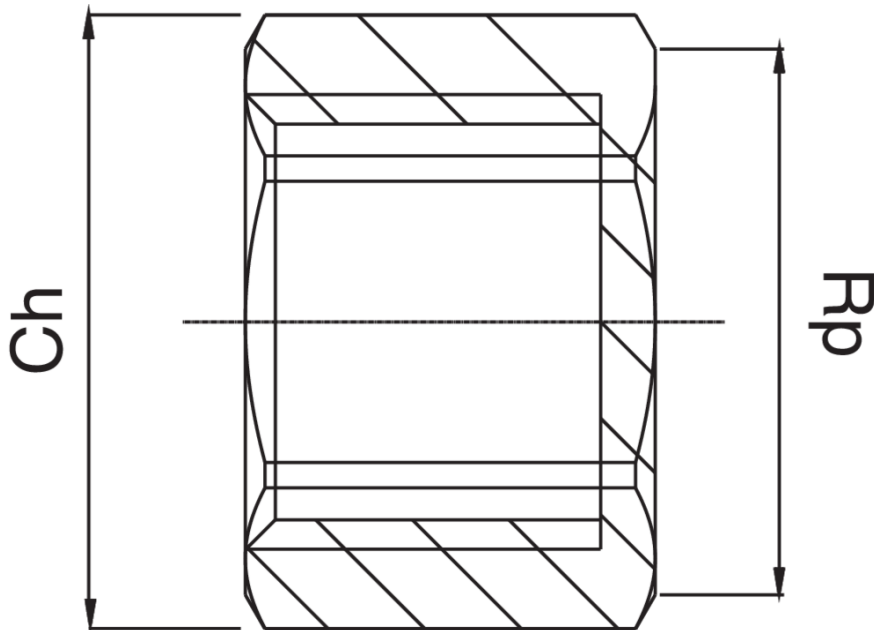


# KR5301

Female thread plug.



## Technical specifications



| RP   | BAG | MASTER BOX | CODE            | CH |
|------|-----|------------|-----------------|----|
| 3/8" | 10  | 300        | KR5301A38000000 | 20 |
| 1/2" | 10  | 300        | KR5301A12000000 | 24 |
| 3/4" | 10  | 200        | KR5301A34000000 | 30 |
| 1"   | 10  | 150        | KR5301B01000000 | 37 |

# Applications

---



DRINKING  
WATER



HEATING



HVAC