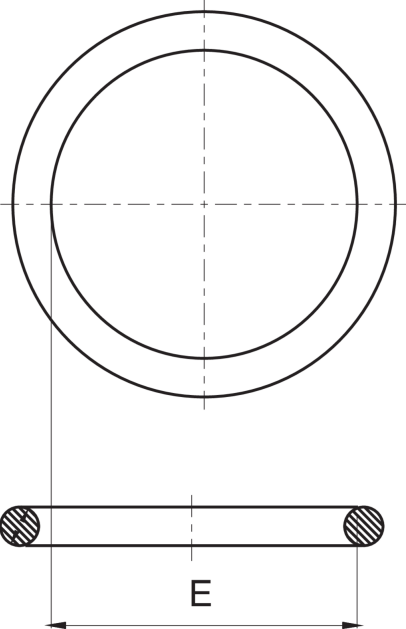


OR2000

Grey O-ring.



Technical specifications



E	BAG	MASTER BOX	CODE
8	10	1000	OR2000008000000
10	10	1000	OR2000010000000
12	10	1000	OR2000012000000
14	10	1000	OR2000014000000
16	10	1000	OR2000016000000
18	10	1000	OR2000018000000
22	10	1000	OR2000022000000
28	10	1000	OR2000028000000

Applications



DRINKING
WATER



HEATING



HVAC



GAS



COMPRESSED
AIR