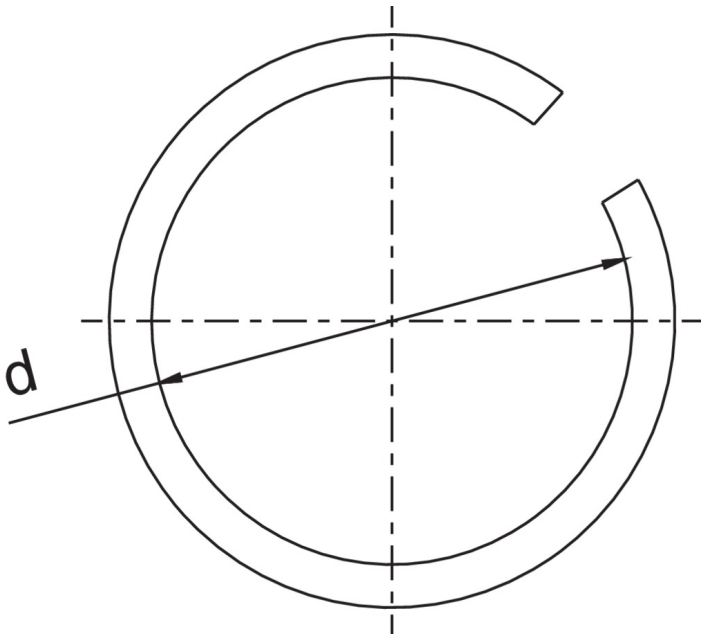


## OT2150

Split ring.



### Technical specifications



D	BAG	MASTER BOX	CODE
8	10	10	OT2150008000000
10	10	10	OT2150010000000
12	10	10	OT2150012000000
14	10	10	OT2150014000000
16	10	10	OT2150016000000
18	10	10	OT2150018000000
22	10	10	OT2150022000000
28	10	10	OT2150028000000

## Applications



DRINKING  
WATER



HEATING



HVAC



GAS



COMPRESSED  
AIR