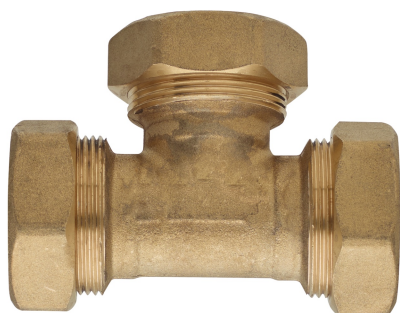
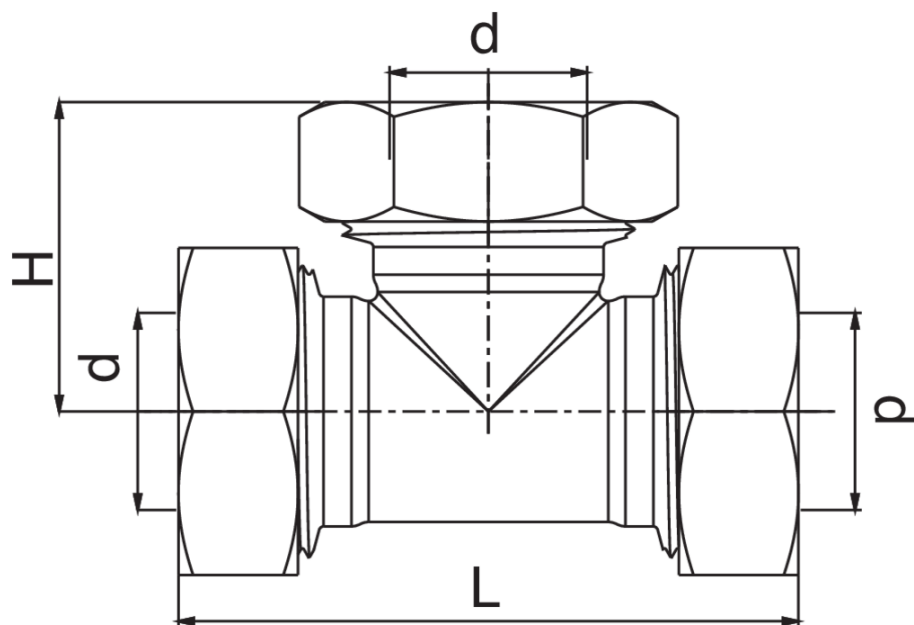


OT2005

F/F/F tee.



Technical specifications



| D | BAG | MASTER BOX | CODE | H | L |
|----|-----|------------|-----------------|------|------|
| 10 | 10 | 100 | OT2005010010010 | 34 | 65 |
| 12 | 5 | 100 | OT2005012012012 | 35 | 69,5 |
| 14 | 5 | 50 | OT2005014014014 | 36,5 | 71 |
| 16 | 5 | 50 | OT2005016016016 | 38 | 75,5 |
| 18 | 10 | 50 | OT2005018018018 | 39 | 78 |
| 22 | 5 | 30 | OT2005022022022 | 40 | 80,5 |

Applications



DRINKING WATER



HEATING



HVAC



GAS



COMPRESSED AIR