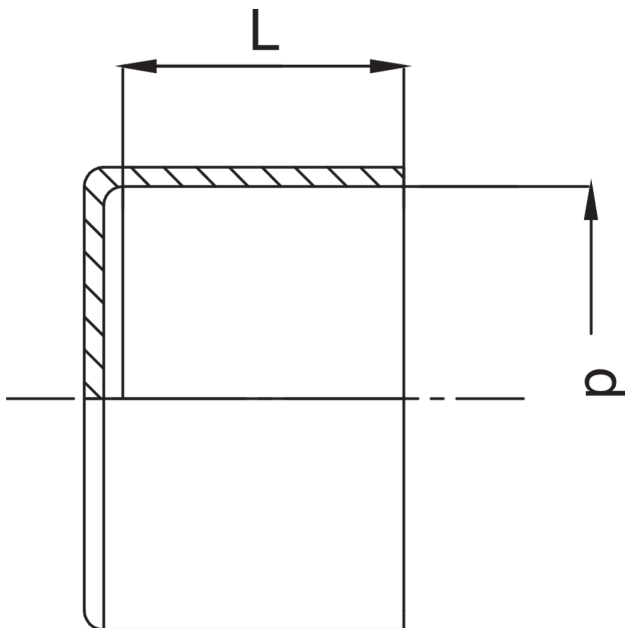


F plug.

Technical specifications



D	BAG	MASTER BOX	CODE	L MIN
3/8"	10	500	FR5301A38000000	7,9
1/2"	10	500	FR5301A12000000	9,7
5/8"	10	50	FR5301A58000000	12,7
3/4"	10	400	FR5301A34000000	15,8
7/8"	10	300	FR5301A78000000	19,1
1"	5	50	FR5301B01000000	22
1"1/8	5	150	FR5301B18000000	23,1
1"3/8	5	100	FR5301B38000000	24,6
1"5/8	5	60	FR5301B58000000	27,7

Applications



REFRIGERATION