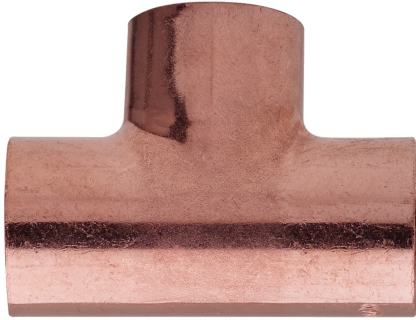
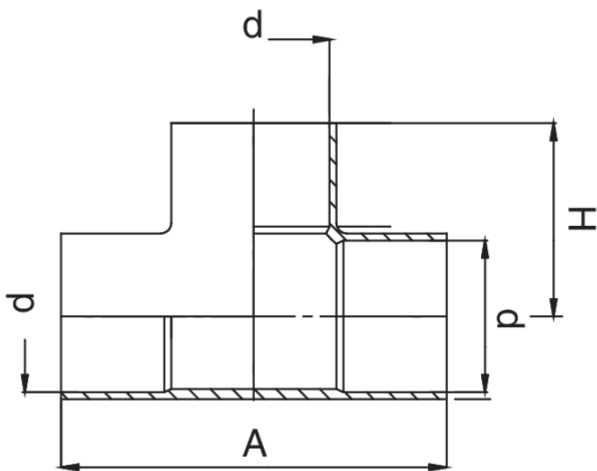


RG5130

F/F/F tee.



Technical specifications



D	BAG	MASTER BOX	CODE	A	H
22	10	70	RG5130022022022	54	30
28	10	40	RG5130028028028	70	35
35	5	40	RG5130035035035	84	45
42	5	20	RG5130042042042	100	56
54	1	10	RG5130054054054	122	65
64	1	5	RG5130064064064	140	70
133	1	10	RG5130133133133	261	130

Applications



GAS



COMPRESSED AIR



SOLAR



INDUSTRIAL



REFRIGERATION



DRINKING WATER



HVAC