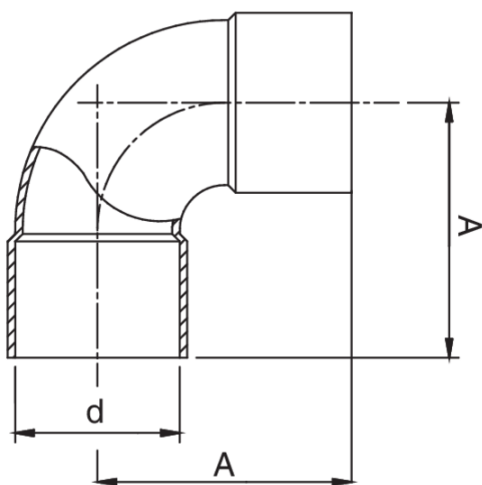


RG5090

F/F 90° elbow.



Technical specifications



D	BAG	MASTER BOX	CODE	A
35	5	90	RG5090035035000	54
42	5	40	RG5090042042000	61

Applications



GAS



COMPRESSED AIR



SOLAR



INDUSTRIAL



REFRIGERATION



DRINKING WATER



HVAC