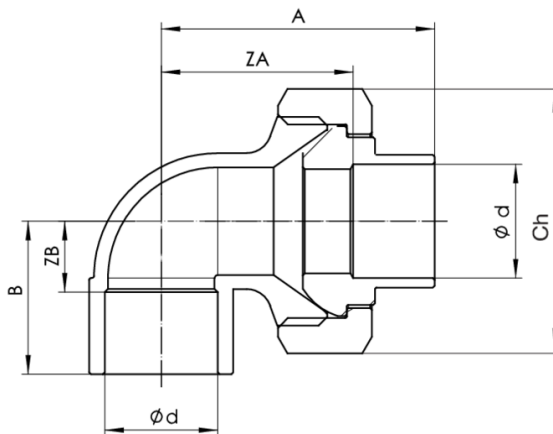


F/male thread 3-piece 90° elbow + gasket.

Technical specifications



Ø D X R	BAG	MASTER BOX	CODE	A	B	ZA	ZB	I	CH
28 x 1"	5	30	B40980B01028000	69,2	35,5	56,5	16,4	12,7	46

Applications



DRINKING
WATER



HEATING



HVAC



GAS



COMPRESSED
AIR



SOLAR



INDUSTRIAL

