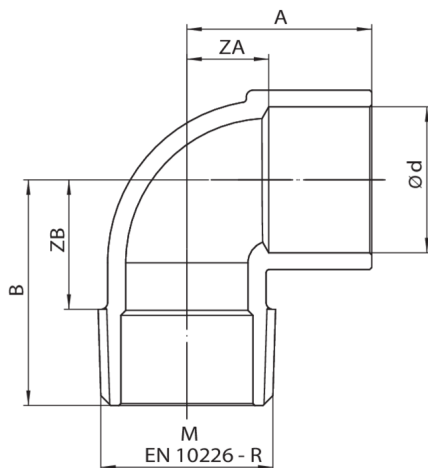


RB4092

F/male thread 90° elbow.



Technical specifications



| Ø D X M | BAG | MASTER BOX | CODE | A | B | ZA | ZB |
|------------|-----|------------|-----------------|------|------|------|------|
| 10 x 3/8" | 10 | 200 | RB4092A38010000 | 18 | 23 | 10,2 | 12 |
| 12 x 3/8" | 10 | 250 | RB4092A38012000 | 18 | 23 | 9,3 | 13,1 |
| 12 x 1/2" | 10 | 250 | RB4092A12012000 | 21,5 | 26 | 13,5 | 16 |
| 14 x 1/2" | 10 | 250 | RB4092A12014000 | 20 | 23 | 9,3 | 12,3 |
| 15 x 3/8" | 10 | 200 | RB4092A38015000 | 24 | 25 | 13,4 | 15,1 |
| 15 x 1/2" | 10 | 200 | RB4092A12015000 | 21,5 | 32,5 | 10,9 | 19,1 |
| 16 x 1/2" | 10 | 150 | RB4092A12016000 | 22,5 | 30,5 | 11,8 | 16,5 |
| 18 x 1/2" | 10 | 150 | RB4092A12018000 | 22 | 27 | 9 | 13,1 |
| 18 x 3/4" | 10 | 100 | RB4092A34018000 | 28 | 31 | 15,4 | 18 |
| 22 x 1/2" | 10 | 100 | RB4092A12022000 | 26 | 31 | 10,6 | 18,5 |
| 22 x 3/4" | 10 | 100 | RB4092A34022000 | 28 | 34 | 12,4 | 19,5 |
| 22 x 1" | 5 | 75 | RB4092B01022000 | 30,5 | 36 | 14,5 | 20 |
| 28 x 3/4" | 10 | 100 | RB4092A34028000 | 33 | 36,5 | 14,6 | 22,5 |
| 28 x 1" | 10 | 50 | RB4092B01028000 | 39 | 36,5 | 20,6 | 25 |
| 35 x 1"1/4 | 5 | 50 | RB4092B14035000 | 43,5 | 46 | 20,5 | 28,7 |

Applications



DRINKING
WATER



HEATING



HVAC



GAS



COMPRESSED
AIR



SOLAR



INDUSTRIAL