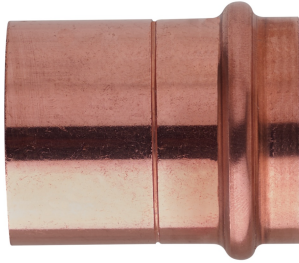
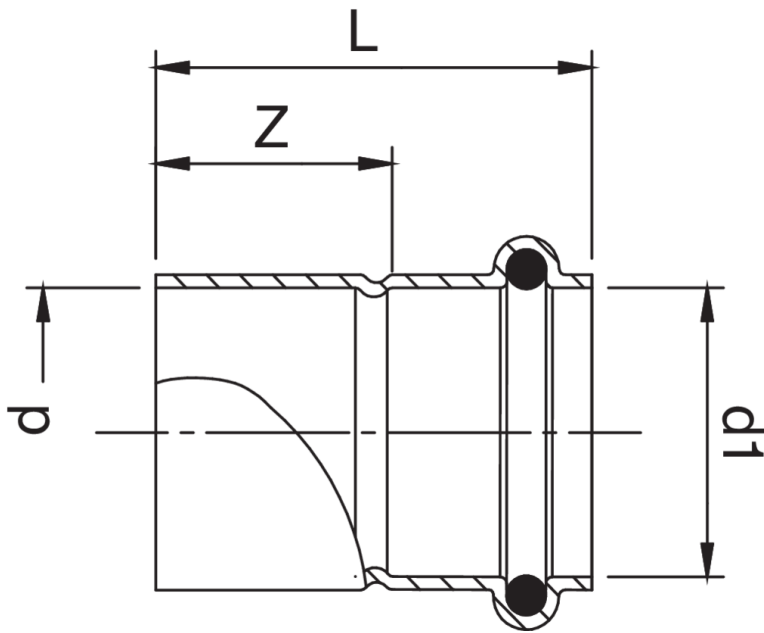


RJ5270



F solder/F press coupling with O-ring.

Technical specifications



D X D1	BAG	MASTER BOX	CODE	L	Z
32 x 32	5	50	RJ5270032032000	46	25
40 x 40	10	50	RJ5270040040000	55	30

Applications



DRINKING WATER



HEATING



HVAC



GAS



COMPRESSED AIR



SOLAR



INDUSTRIAL

