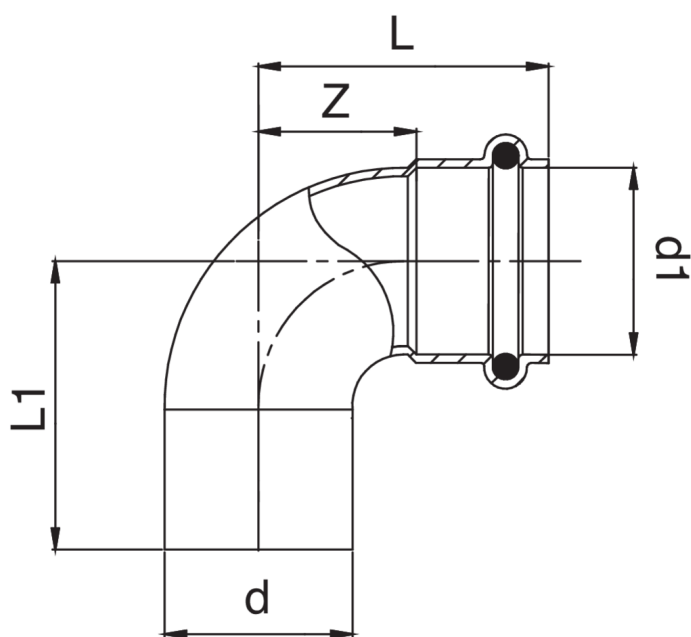


RJ5092

M solder/F press 90° elbow with O-ring.



Technical specifications



D X D1	BAG	MASTER BOX	CODE	L	L1	Z
32 x 32	10	50	RJ5092032032000	40	44	16
40 x 40	10	50	RJ5092040040000	51	53	21

Applications



DRINKING WATER



HEATING



HVAC



GAS



COMPRESSED AIR



SOLAR



INDUSTRIAL