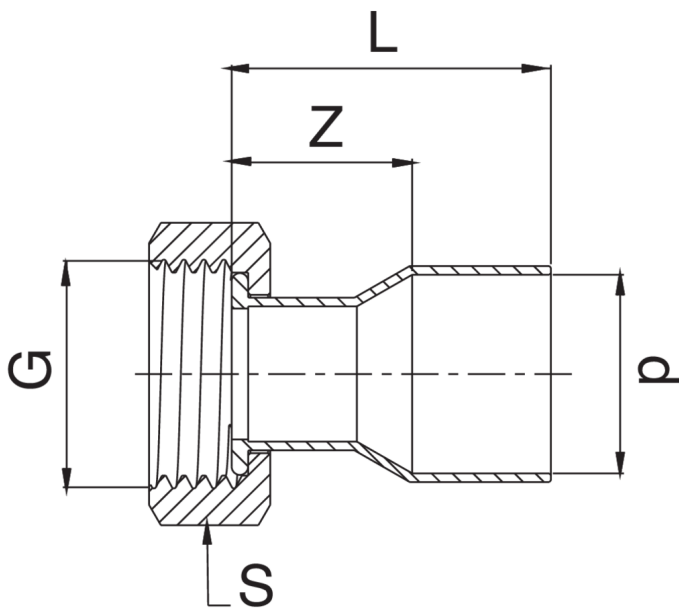


Female thread valve connector with a swivel nut in brass.

Technical specifications



D X G	BAG	MASTER BOX	CODE	L MIN	S	Z
12 x 3/8"	10	150	B5358GA38012000	22	21	13
12 x 1/2"	10	250	B5358GA12012000	25	24	16
12 x 3/4"	10	200	B5358GA34012000	25	30	16
14 x 1/2"	10	250	B5358GA12014000	25	24	14
14 x 3/4"	10	200	B5358GA34014000	26	30	15
15 x 1/2"	10	250	B5358GA12015000	25	24	14
15 x 3/4"	10	200	B5358GA34015000	27	30	16
16 x 1/2"	10	200	B5358GA12016000	25	24	14
16 x 3/4"	10	200	B5358GA34016000	27	30	16
18 x 3/4"	10	150	B5358GA34018000	28	30	15
18 x 1"	10	100	B5358GB01018000	31	37	18
22 x 3/4"	10	150	B5358GA34022000	34	30	19
22 x 1"	10	100	B5358GB01022000	35	37	20
28 x 1"1/4	10	50	B5358GB14028000	39	46	21
54 x 2"	1	16	B5358GC02054000	67	64	35

Applications



DRINKING
WATER



HEATING



HVAC



GAS



COMPRESSED
AIR



SOLAR



INDUSTRIAL