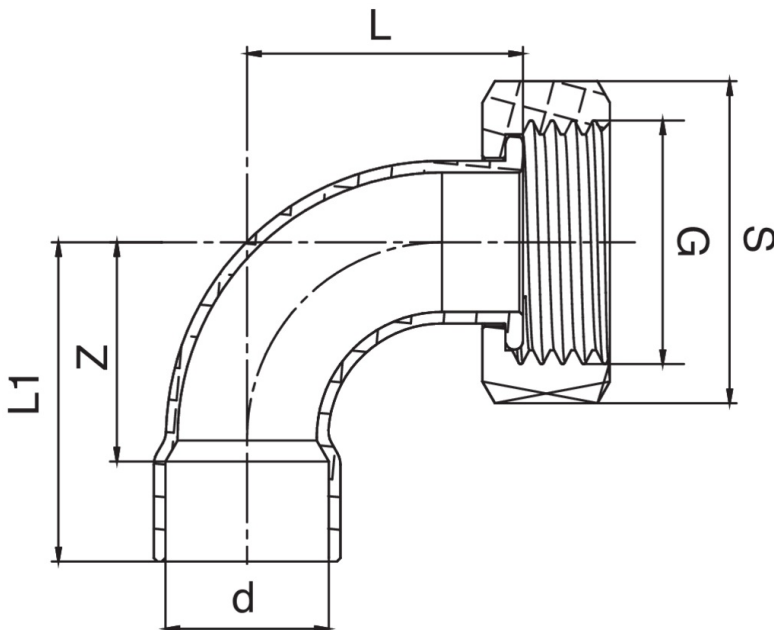


**RD5002**

F/female thread 90° elbow + gasket seat.



Technical specifications



| D X G     | BAG | MASTER BOX | CODE            | L  | L1 | S  | Z  |
|-----------|-----|------------|-----------------|----|----|----|----|
| 12 x 3/8" | 10  | 200        | RD5002A38012000 | 23 | 25 | 20 | 17 |
| 12 x 1/2" | 10  | 150        | RD5002A12012000 | 23 | 25 | 24 | 17 |
| 14 x 1/2" | 10  | 150        | RD5002A12014000 | 27 | 31 | 24 | 20 |
| 15 x 1/2" | 10  | 150        | RD5002A12015000 | 26 | 28 | 24 | 18 |
| 15 x 3/4" | 10  | 150        | RD5002A34015000 | 35 | 39 | 30 | 29 |
| 16 x 1/2" | 10  | 100        | RD5002A12016000 | 25 | 31 | 24 | 21 |
| 16 x 3/4" | 10  | 100        | RD5002A34016000 | 35 | 39 | 30 | 29 |
| 18 x 3/4" | 10  | 100        | RD5002A34018000 | 34 | 38 | 30 | 26 |
| 22 x 3/4" | 10  | 150        | RD5002A34022000 | 32 | 41 | 30 | 26 |

## Applications



DRINKING  
WATER



HEATING



HVAC



GAS



COMPRESSED  
AIR



SOLAR



INDUSTRIAL