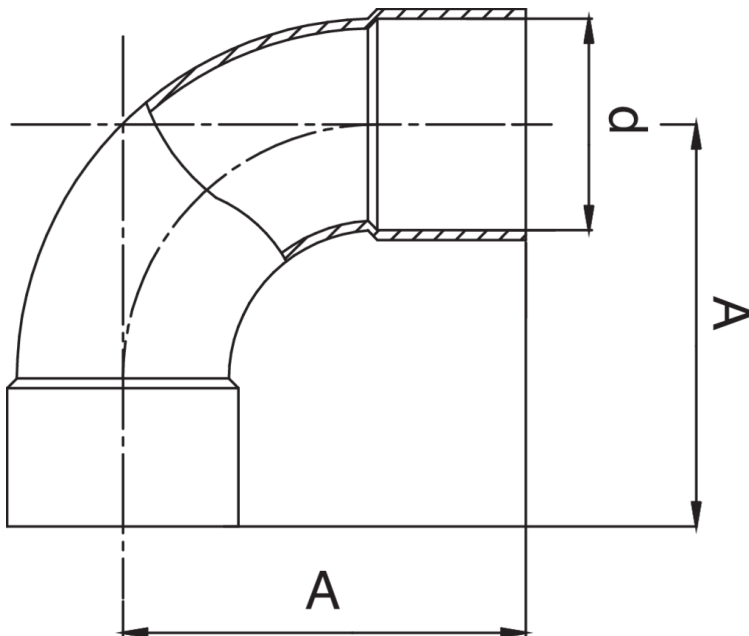


RR5002

F/F 90° elbow.



Technical specifications



D	BAG	MASTER BOX	CODE	A
6	10	1000	RR5002006006000	15,5
8	10	1000	RR5002008008000	16,5
10	10	700	RR5002010010000	19,5
12	10	500	RR5002012012000	22
14	10	300	RR5002014014000	27
15	10	300	RR5002015015000	28
16	10	200	RR5002016016000	28
18	10	180	RR5002018018000	31
20	10	300	RR5002020020000	40
22	10	100	RR5002022022000	39
25	10	150	RR5002025025000	44,5
28	10	60	RR5002028028000	49
32	5	80	RR5002032032000	60
35	5	30	RR5002035035000	62
36	5	80	RR5002036036000	62
40	5	50	RR5002040040000	73,5
42	5	40	RR5002042042000	75,5
52	1	10	RR5002052052000	93,5
54	1	10	RR5002054054000	93
63	1	12	RR5002063063000	109,5
64	1	6	RR5002064064000	109,5
66,7	1	12	RR5002067067000	127
76,1	1	8	RR5002076076000	125
80	1	6	RR5002080080000	153
88,9	1	6	RR5002089089000	144,5
108	1	2	RR5002108108000	179

Applications



DRINKING
WATER



HEATING



HVAC



GAS



COMPRESSED
AIR



SOLAR



INDUSTRIAL