



FRABO

frabo
press
C-STEEL M
CM0F90

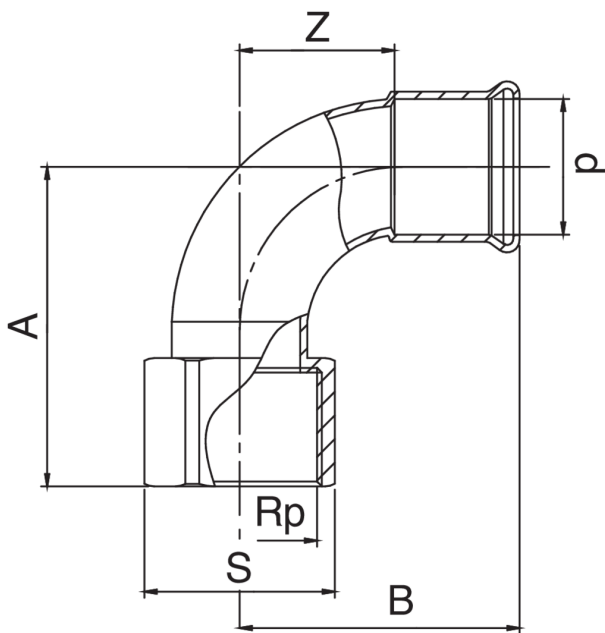
PATENTED



F/female thread elbow.



Technical specifications



D X RP	BAG	MASTER BOX	CODE	A	B	S	Z
15 x 1/2"	10	100	CM0F90A12015000	47	36	25	17
18 x 1/2"	10	150	CM0F90A12018000	53	40	25	21
22 x 3/4"	10	50	CM0F90A34022000	52	46	32	25
28 x 1"	5	30	CM0F90B01028000	70	58	38	36
35 x 1"	5	20	CM0F90B01035000	72	61	38	-

Applications



HEATING



HVAC



COMPRESSED
AIR