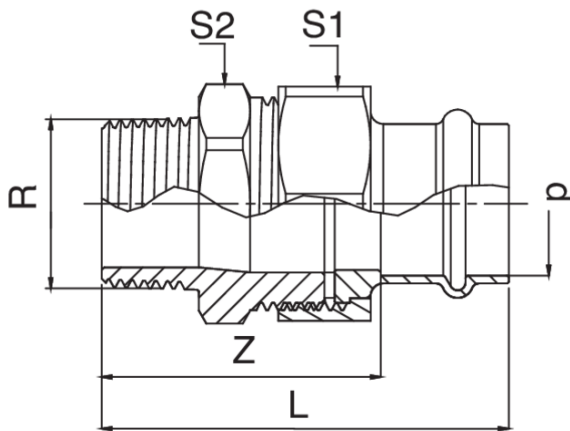


F/male thread flat seat joint.



Technical specifications



| D X R | BAG | MASTER BOX | CODE | L | S1 | S2 | Z |
|------------|-----|------------|-----------------|-----|----|----|----|
| 15 x 1/2" | 5 | 50 | ZCF341A12015000 | 66 | 24 | 27 | 44 |
| 15 x 3/4" | 5 | 50 | ZCF341A34015000 | 69 | 30 | 30 | 47 |
| 18 x 1/2" | 5 | 30 | ZCF341A12018000 | 69 | 30 | 30 | 46 |
| 18 x 3/4" | 5 | 50 | ZCF341A34018000 | 72 | 30 | 30 | 49 |
| 22 x 1/2" | 5 | 30 | ZCF341A12022000 | 83 | 30 | 30 | 59 |
| 22 x 3/4" | 5 | 50 | ZCF341A34022000 | 86 | 30 | 30 | 62 |
| 22 x 1" | 5 | 50 | ZCF341B01022000 | 81 | 37 | 35 | 57 |
| 28 x 1" | 5 | 30 | ZCF341B01028000 | 83 | 46 | 45 | 58 |
| 35 x 1"1/4 | 5 | 15 | ZCF341B14035000 | 88 | 52 | 50 | 62 |
| 42 x 1"1/2 | 1 | 10 | ZCF341B12042000 | 98 | 64 | 60 | 62 |
| 54 x 2" | 1 | 8 | ZCF341C02054000 | 106 | 85 | 75 | 66 |

Applications



HEATING



HVAC



COMPRESSED
AIR